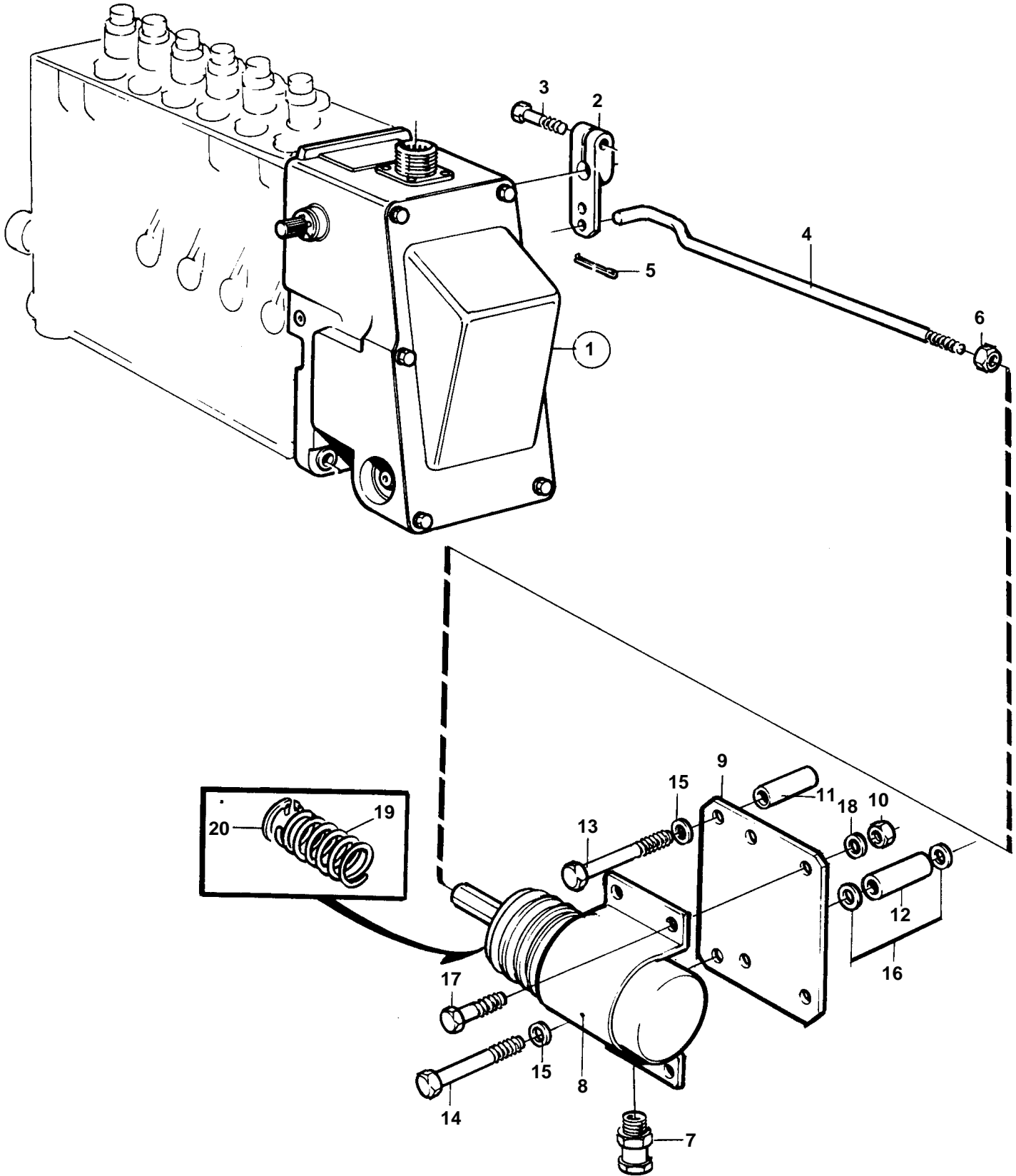


TMD102A (AUX)



16019

TMD102A (AUX)

REF	PART NO.	QTY	DESCRIPTION	NOTES
1	848990	1	Actuator	AMBAC
2	846426	1	Lever	
3	955637	1	Screw	
4		1	Pull link	
5	907824	1	Cotter pin	
6	955857	1	Nut	
7	881191	1	Cable union	
8	872825	1	Stop solenoid	24V, (881532)
9	846422	1	Bracket	
10	945407	4	Flange nut	
11	820508	2	Spacer sleeve	L=28mm
12	847010	1	Sleeve	L=98mm
	849095	1	Sleeve	L=16mm
13	940156	1	Screw	L=89mm
14	942338	1	Screw	L=114mm
15	942336	2	Spring washer	
16	961170	2	Washer	
17	946544	4	Flange screw	
18	941906	4	Spring washer	
19	843401	1	Return spring	
20		1	Snap ring	