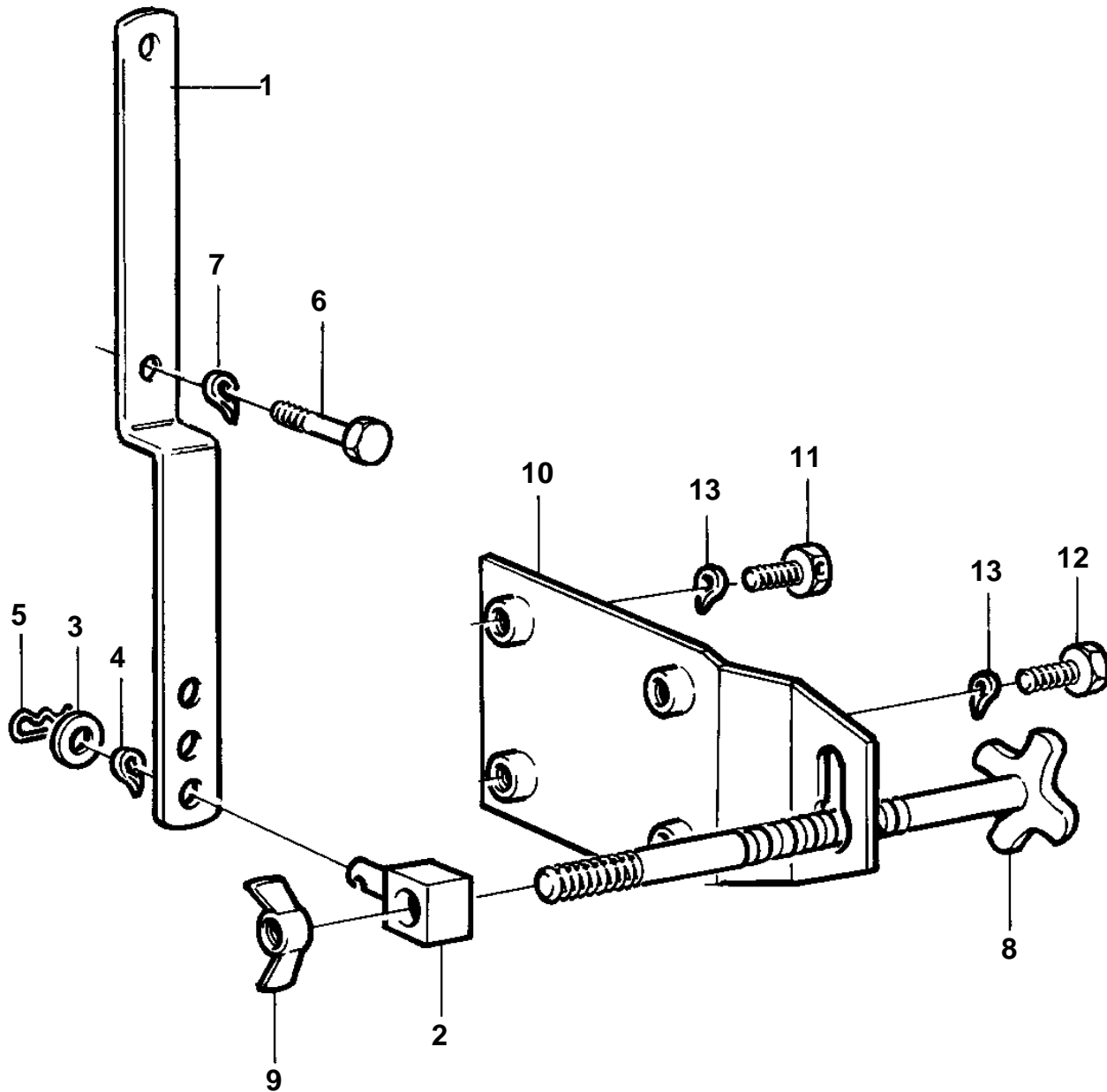


TMD122A, TAMD122A



11742

TMD122A, TAMD122A

REF	PART NO.	QTY	DESCRIPTION	NOTES
1	823695	1	Control arm	
2	848236	1	Cube	
3	955892	1	Washer	
4	949607	1	Spring washer	
5	664822	1	Lock spring	
6	955272	1	Screw	
7	949607	1	Spring washer	
8	848226	1	Adjusting screw	
9	192354	1	Wing nut	
10	848227	1	Bracket	SN-110127402/XXXXXX
	863640	1	Bracket	SN110127403/XXXXXX-
11	844540	2	Lock screw	
12	955274	2	Screw	
13	949607	4	Spring washer	