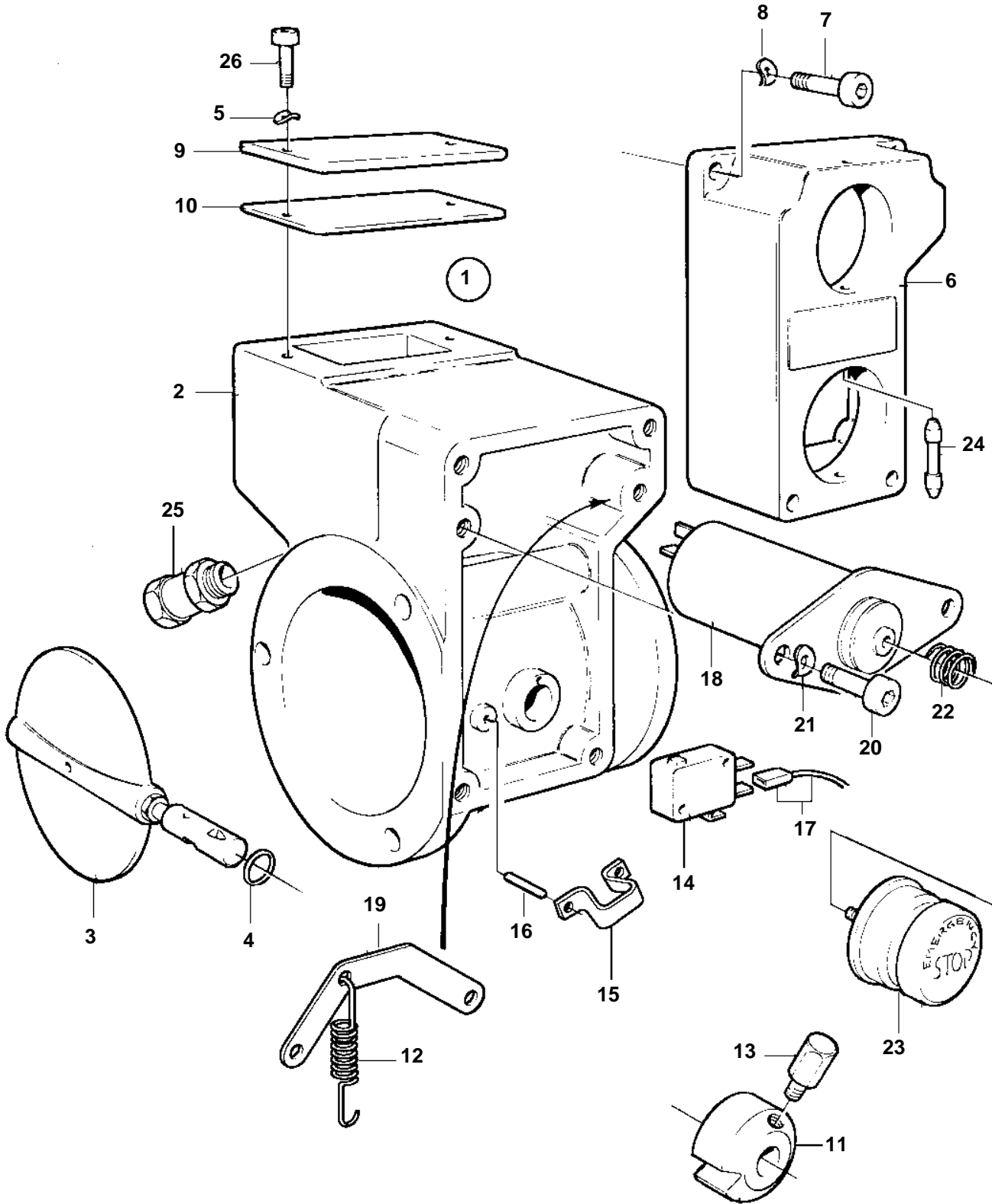


COMMON



15396

COMMON

REF	PART NO.	QTY	DESCRIPTION	SEE SEC.	NOTES
1	848090	1	Shutter housing		
2		1	· Housing		
3		1	· Shutter		
4	925053	1	· O-ring		
5	941905	2	Spring washer		
6	842893	1	Cover		
7	959190	4	Screw		L=20mm
	955249	2	Screw		ALT, L=25mm
8	941905	4	Spring washer		
9	843696	1	Cover		
10		1	Gasket		
11	842899	1	Sleeve		
12	897841	1	Spring		
13	842903	1	Knob		
14	850200	1	Switch		
15	844574	1	Spring		
16	951938	2	Spring pin		
17		X	Electrical materials	1963	
18	847952	1	Stop solenoid		
19		1	Brace		
20	942001	2	Screw		
21	941906	2	Spring washer		
22	842900	1	Spring		
23	847918	1	Stop device		
24	847917	1	Piston		
25	844576	1	Cable union		
26	941460	2	Screw		