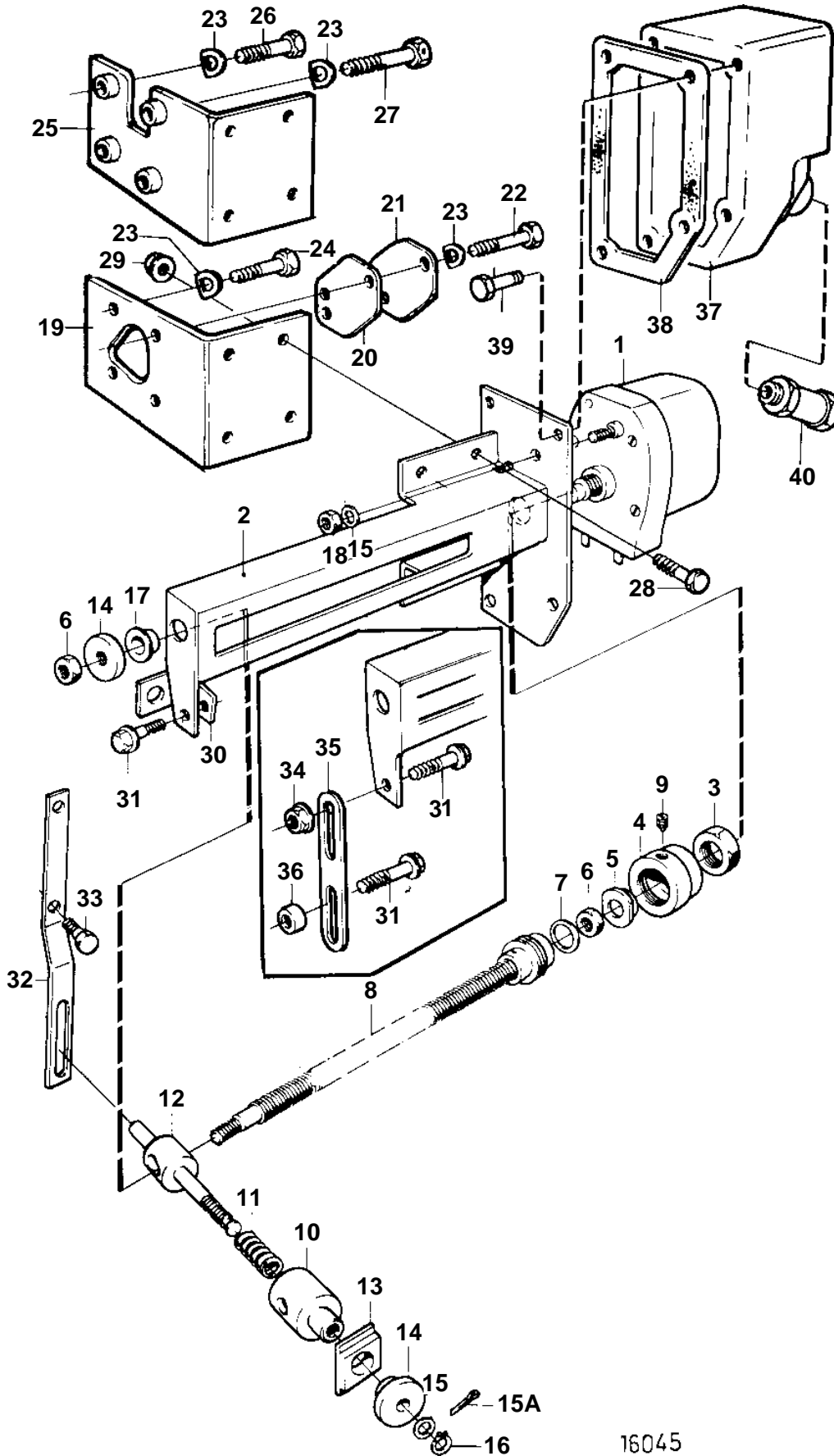


TMD122A, TAMD122A



16045

TMD122A, TAMD122A

REF	PART NO.	QTY	DESCRIPTION	NOTES
1	843794	1	Control motor	When reconditioning or when the carbons are to be replaced, use carbons brush kit 876001.
2	843795	1	Retainer	
3	843796	1	Nut	
4	843797	1	Nut	
5	843798	1	Companion flange	
6	955781	2	Nut	
7	949938	1	Spring washer	
8	843799	1	Adjuster screw	
9	945647	1	Screw	
10	843802	1	Sleeve	
11	813945	1	Spring	
12	843803	1	Companion flange	
13	843804	1	Guide	
14	843805	2	Control button	
15	940090	1	Washer	
15A	907824	1	Cotter pin	
16	951667	1	Lock ring	
17	843806	1	Bushing	
18	955780	1	Nut	
19	863066	1	Bracket	SN1101049684/XXXXXX- SN-1101050802/XXXXXX.
20		1	Gasket	SN1101049684/XXXXXX- SN-1101050802/XXXXXX.
21		1	Cover	SN1101049684/XXXXXX- SN-1101050802/XXXXXX.
22	955272	2	Screw	SN1101049684/XXXXXX- SN-1101050802/XXXXXX.
23	941906	4	Spring washer	SN1101049684/XXXXXX- SN-1101050802/XXXXXX.
24	955271	2	Screw	SN1101049684/XXXXXX- SN-1101050802/XXXXXX.
25	866929	1	Bracket	SN1101050802/XXXXXX-
26	955274	2	Screw	SN1101050802/XXXXXX-
27	844540	2	Lock screw	SN1101050802/XXXXXX-
28	946544	4	Flange screw	
29	945407	4	Flange nut	
30	843809	1	Attaching plate	
31	946544	X	Flange screw	
32	863149	1	Lever	
33	946544	1	Flange screw	
34	945407	1	Flange nut	
35	965534	1	Bracket	ALT
36	807183	1	Spacer sleeve	ALT
37	843889	1	Cover	CLASSIFIED
38	843890	1	Gasket	CLASSIFIED
39	955271	4	Screw	CLASSIFIED
40	881191	1	Cable union	CLASSIFIED