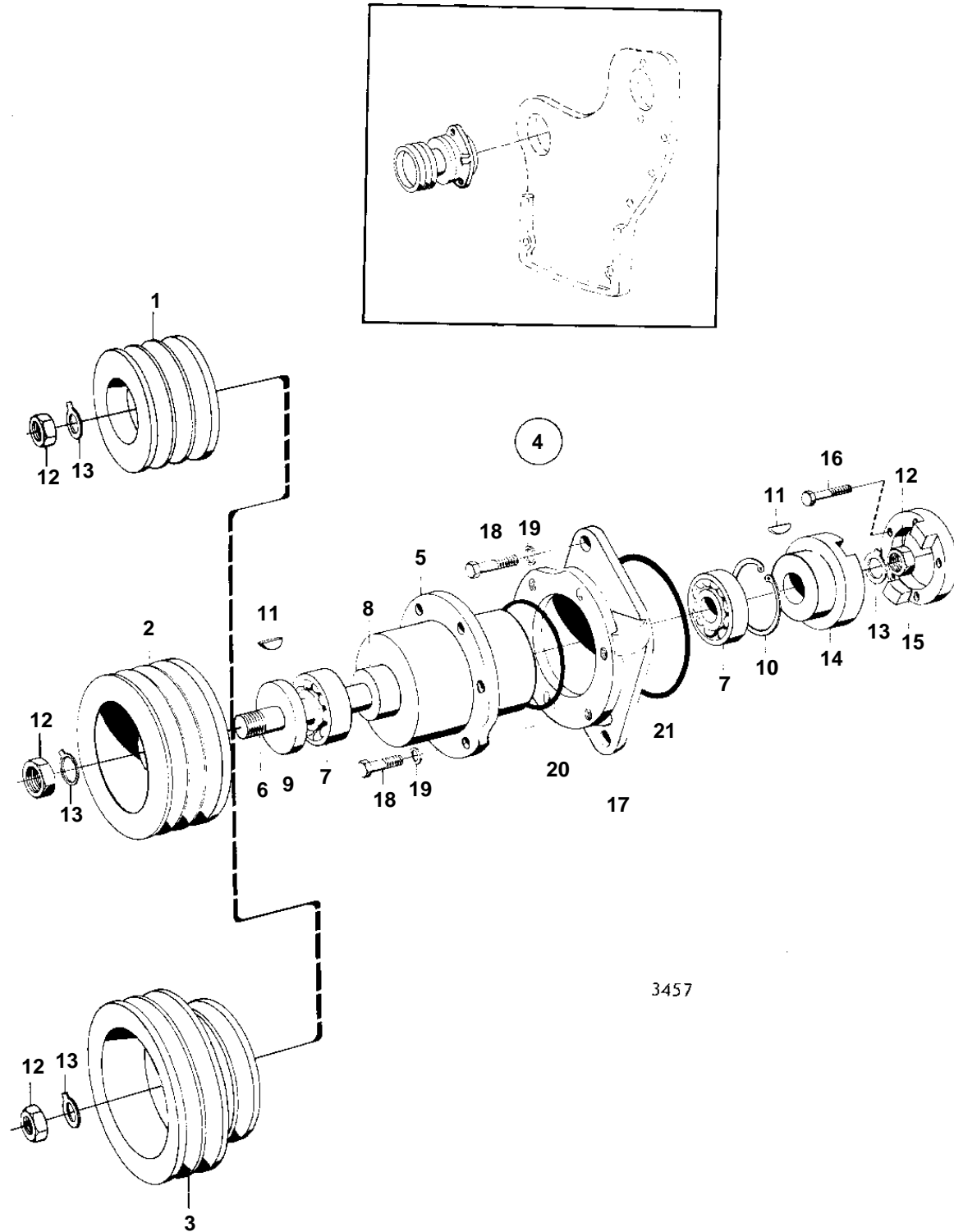


COMMON



COMMON

| REF | PART NO. | QTY | DESCRIPTION | NOTES |
|-----|----------|-----|----------------------------------|----------------|
| 1 | 821065 | 1 | Pulley | D = 116 MM |
| 2 | 821064 | 1 | Pulley | D = 140 MM |
| 3 | 823116 | 1 | Pulley | D = 150/190 MM |
| 4 | 821066 | 1 | Drive outlet | |
| 5 | 821067 | 1 | · Bearing housing | |
| 6 | 821068 | 1 | · Shaft | |
| 7 | 11013 | 2 | · Ball bearing | |
| 8 | 821072 | 1 | · Spacer sleeve | |
| 9 | 958993 | 1 | · Ring | |
| 10 | 914533 | 1 | · Snap ring | |
| 11 | 942406 | 2 | · Key | |
| 12 | 955860 | 2 | · Nut | |
| 13 | 942735 | 2 | · Lock washer | |
| 14 | 820960 | 1 | Dog clutch | |
| 15 | 821071 | 1 | Companion flange, SEA-WATER PUMP | |
| 16 | 955513 | 4 | Screw, SEA-WATER PUMP | |
| 17 | 820697 | 1 | Intermediate section | |
| 18 | 940115 | 6 | Screw | |
| 19 | 942336 | 6 | Spring washer | |
| 20 | 925095 | 1 | O-ring | |
| 21 | 420213 | 1 | Seal | |