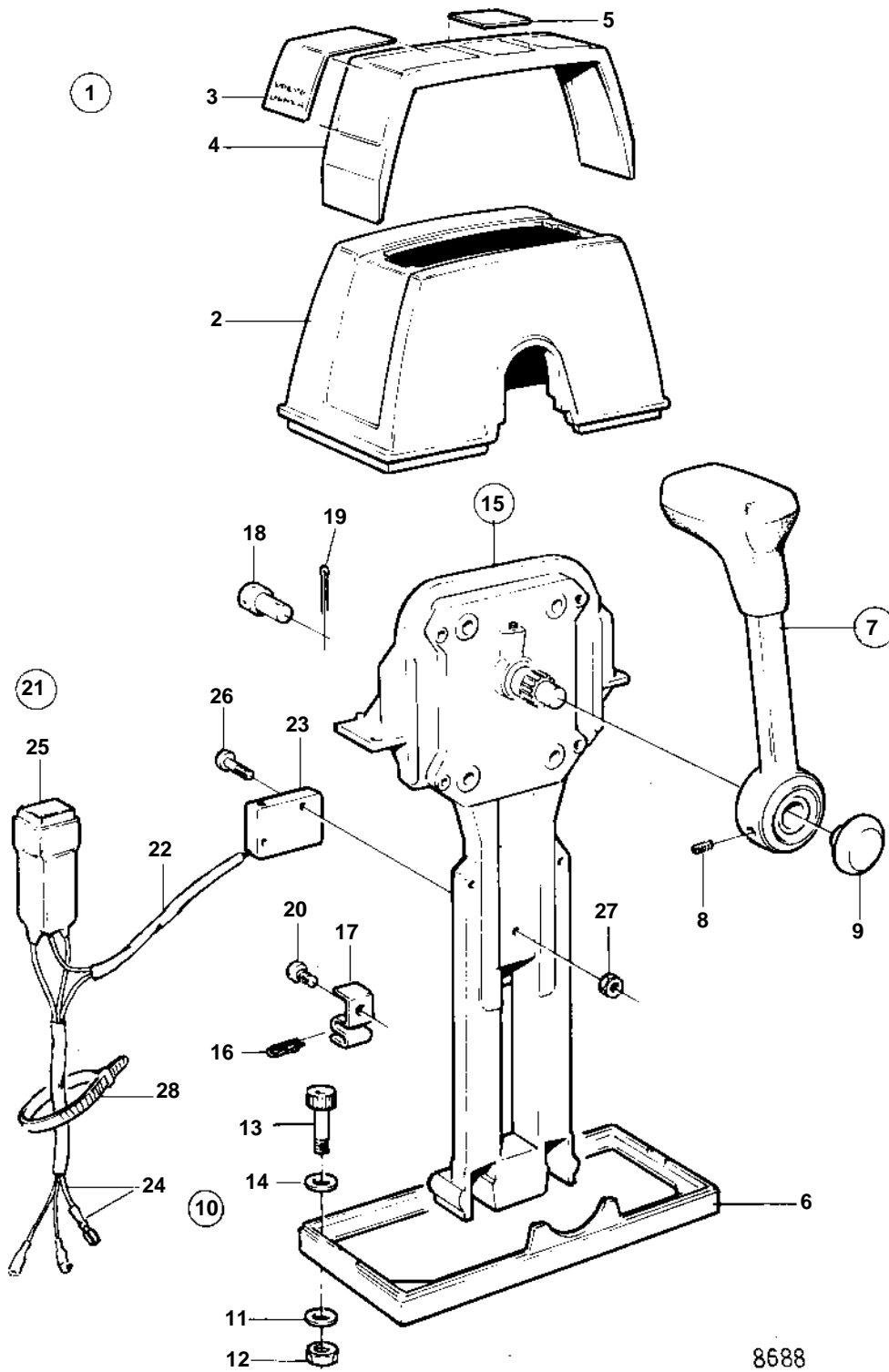


COMMON



8688

COMMON

REF	PART NO.	QTY	DESCRIPTION	SEE SEC.	NOTES
1	853168	1	Mounting kit		SINGLE, WHITE
2	1140046	1	• Cover	IK	(851882)
3	851896	2	• • Decal	IK	
4	851892	1	• • Cover plate	IK	
5	851898	1	• • Decal	IK	
6	839474	1	• • Plate	IK	
7	852347	1	• Lever	IK	
8	963678	1	• • Screw	IK	090-0984
9	853004	1	• Push button	IK	
10	852384	1	• Screw kit		
11	960138	4	• • Washer	IK	
12	955780	4	• • Nut	IK	
13	947671	4	• • Allen head screw	IK	
14	940090	4	• • Washer	IK	
15	851600	1	Control		
16	852924	1	• Clip	IK	
17	853423	1	• Retainer		
18	839638	2	• Cube		
19	17253	2	• Cotter pin		
20	839664	1	Screw		
21	855352	1	Neutral posit contac		(839641)
22	839619	1	• Cable kit		
23	850200	1	• • Switch		
24		X	• • CABLES AND TERMINALS		SEE GROUP 3
25	876037	1	• Relay kit		(1501832)
26	946177	2	• Screw		
27	947536	2	• Nut		
28	948210	X	• Strip clamp		