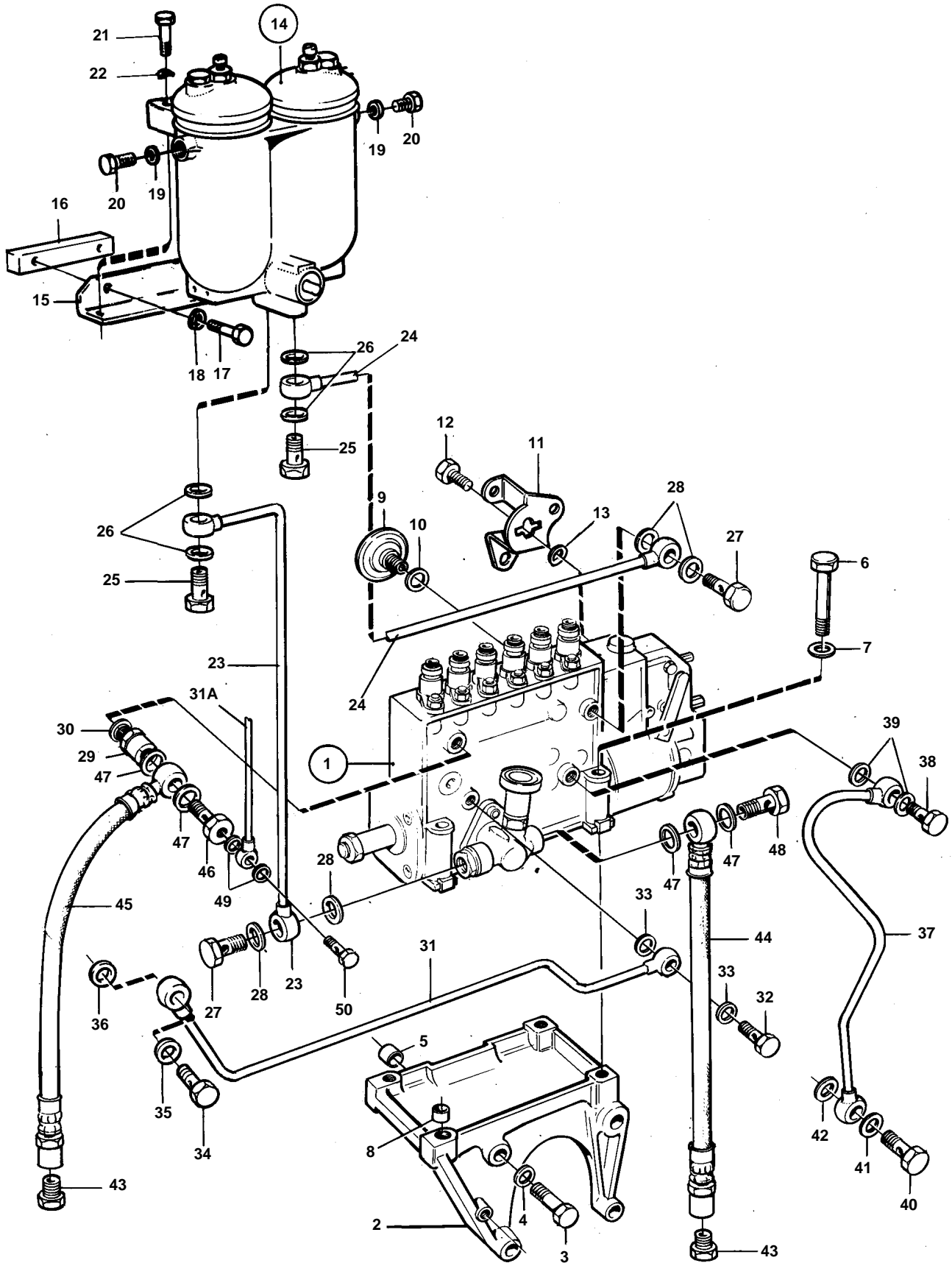


TMD100C



11801

TMD100C

REF	PART NO.	QTY	DESCRIPTION	SEE SEC.	NOTES
1	846806	1	Injection pump		SN-183970/XXXXXX REPL BY 849194
				02C-0600	
	849194	1	Injection pump		SN 183971/XXXXXX-
	3803765	1	Injection pump, exch		Exchange unit
				02C-0625	
2	468558	1	Bracket		
3	955566	4	Screw		
4	940280	4	Spring washer		
5	423161	2	Guide sleeve		
6	940156	4	Screw		
7	190509	4	Washer		
8	417588	1	Guide sleeve		
9	477173	1	Pressure equalizer		
10	969011	1	Gasket		
11	848677	1	Lever		SEE GROUP 2D
12	955270	1	Screw		
13	941906	1	Spring washer		
14	243405	1	Fuel filter		
				02C-1100	
15	845319	1	Bracket		
16	846738	1	Spacer		
17	955535	2	Screw		
18	942336	2	Spring washer		
19	969011	2	Gasket		
20	960630	2	Plug		
21	940134	2	Screw		
22	941909	2	Spring washer		
23	847028	1	Tube		
24	847029	1	Tube		
25	26013	2	Hollow screw		
26	947624	4	Gasket		
27	25167	2	Hollow screw		
28	969011	4	Gasket		
29	35096	1	Overflow valve		
30	15304	1	Gasket		
31	422245	1	Pressure oil line		
31A	846805	1	Leak-off pipe	02C-0200	
32	48634	1	Hollow screw		
33	947281	2	Gasket		
34	837709	1	Hollow screw		SEE GROUP 2 B. CONNECTED TOGETHER WITH OIL PRESS. PIPE FOR POWER TAKE OFF
35	11994	1	Gasket		
36	18666	1	Gasket		
37	422246	1	Pipe		
38	25167	1	Hollow screw		
39	969011	2	Gasket		
40	942007	1	Hollow screw		
41	11998	1	Gasket		
42	942703	1	Gasket		
43	22753	2	Nipple		
44	845372	1	Fuel hose		REPL BY 866964
45	849076	1	Fuel hose		REPL BY 866964
46	16496	1	Hollow screw		
47	969011	4	Gasket		
48	25167	1	Hollow screw		
49	946729	2	Gasket		
50	74033	1	Hollow screw		