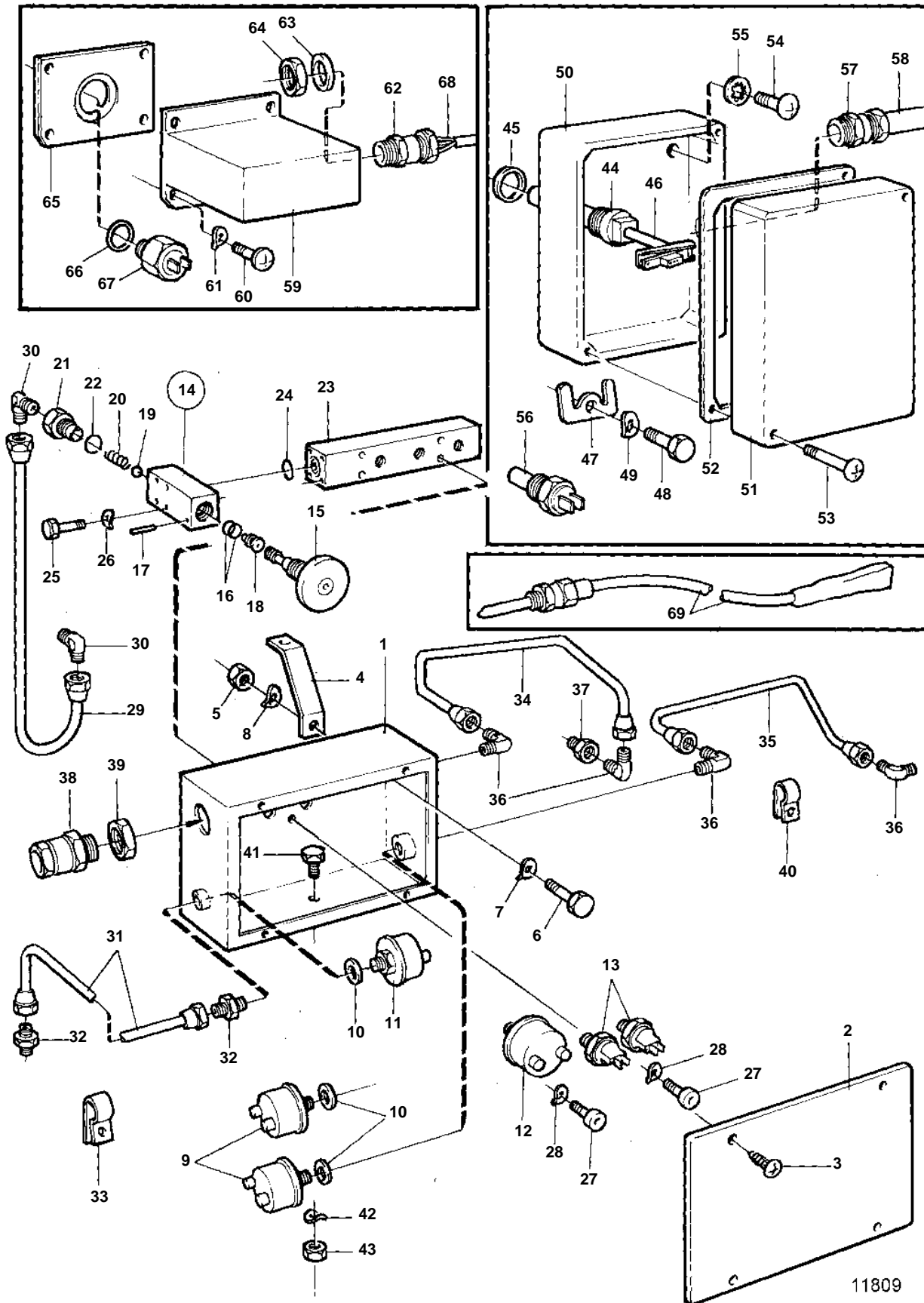


TMD100C



TMD100C

REF	PART NO.	QTY	DESCRIPTION	SEE SEC.	NOTES
1	843063	1	Box		
2	843064	1	Cover		
3	958244	4	Screw		
4	846982	1	Support		
5	955826	2	Nut		
6	955524	2	Screw		
7	955894	3	Washer		
8	941907	2	Spring washer		
9	846311	2	Pressure sensor		SEA WATER. FRESH WATER
10	947624	3	Gasket		
11	837782	1	Pressure sensor		
12	843231	1	Oil pressure sensor		OIL,ENGINE
13	848368	2	Pressure switch		OIL,ENGINE
14	837928	1	Valve		
15	837930	1			
16	925052	2	· Rubber ring		
17	951938	1	· Spring pin		
18	837932	1	· Intermediate section		
19	70472	1	· Ball		
20	832441	1	· Spring		
21	837929	1			
22	955985	1	· O-ring		
23	837938	1	· Intermediate section		
24	955984	1	Sealing ring		
25	959181	4	Screw		
26	941904	4	Spring washer		
27	942001	4	Screw		
28	941906	4	Spring washer		
29	847030	1	Tube		OIL,ENGINE
30	954342	2	Elbow union		
31	847031	1	Tube, TURBO PRESSURE		
32	954335	2	Fitting		
33	940374	1	Clamp		
34	847032	1	Tube		FRESH WATER
35	847033	1	Tube		SEA WATER
36	954343	4	Elbow nipple		
37	836192	1	Nipple		
38	881193	1	Cable union		
39	880755	1	Nut		
40	942400	1	Clamp		
41	955523	2	Screw		
42	941907	2	Spring washer		
43	955826	2	Nut		
44	836718	1	Sleeve		
45	947626	1	Gasket		
46	837472	1	Thermo monitor		FRESH WATER
47	837396	1	Lock washer		
48	956076	1	Screw		
49	941905	1	Spring washer		
50	837391	1	Housing		
51	837392	1	Cover		
52	837424	1	Gasket		
53	956301	2	Screw		
54	956568	2	Screw		
55	941907	2	Spring washer		
56	827150	1	Temperature sensor		FRESH WATER
57	822327	1	Cable union		
58		X	SHIP CABLE CLASSIFIED	030-2225	
		X	CABLE TERMINALS	030-2225	
59	843102	1	Box		
60	956059	4	Screw		
61	941904	4	Spring washer		
62	822327	1	Cable union		

TMD100C

REF	PART NO.	QTY	DESCRIPTION	SEE SEC.	NOTES
63	957185	1	Gasket		
64	880243	1	Nut		
65	843103	1	Attaching plate		
66	925059	1	O-ring		
67	354671	1	Tachometer sensor		
68		X	SHIP CABLE CLASSIFIED	030-2225	
69	842950	1	Temperature sensor		