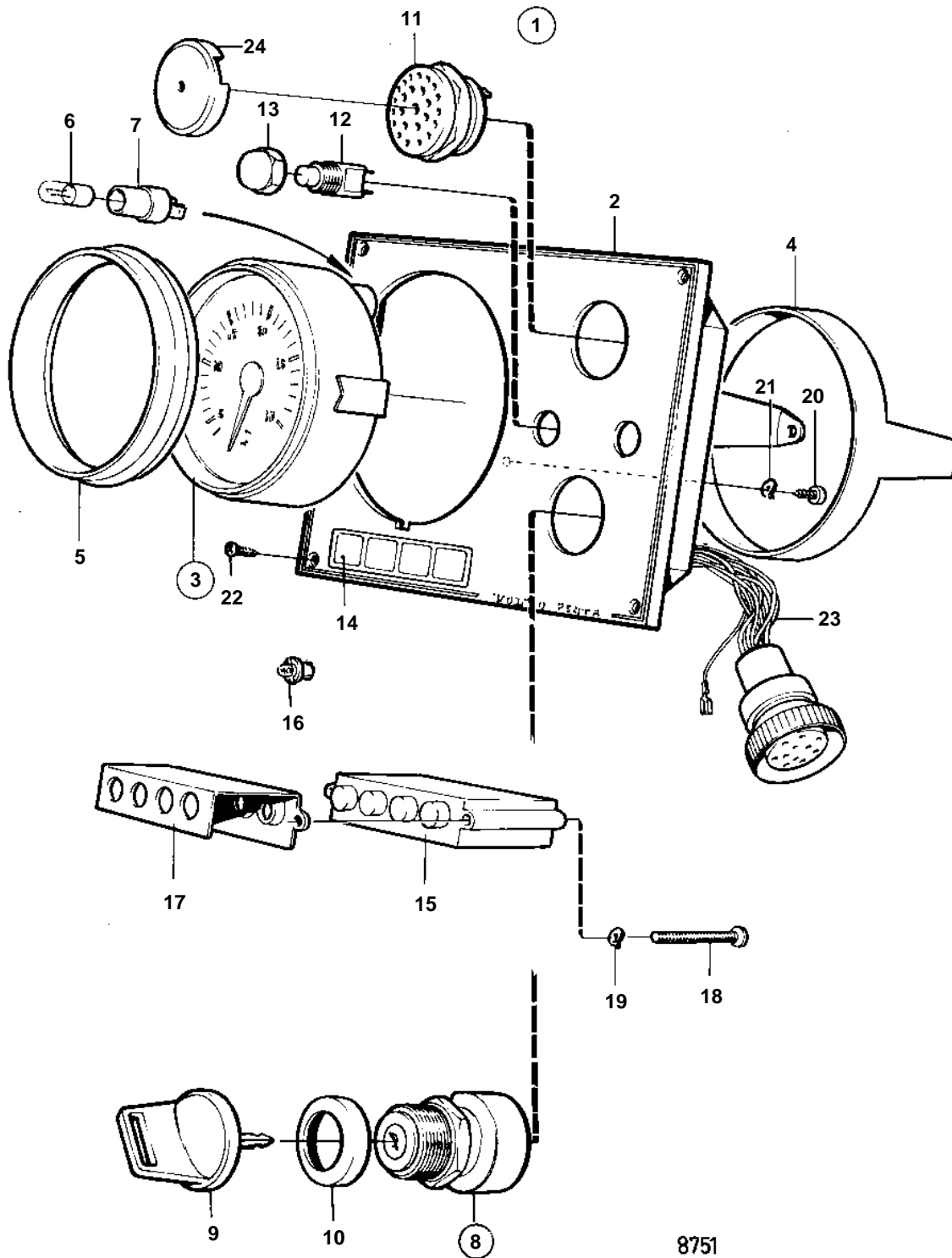


TMD100C



TMD100C

REF	PART NO.	QTY	DESCRIPTION	SEE SEC.	NOTES
1	849937	1	Instrument panel		WHITE COLOURED DECOR STRIPE.
2	858646	1	• Instrument panel		REPL BY 860183. WHITE COLOURED DECOR STRIPE.
	860183	1	• Instrument panel		
3	828600	1	• Tachometer		
4	828558	1	• Attaching ring		
5	828559	1	• Front ring		REPL BY 858644
	858644	1	• Front ring		
6	182059	1	• Bulb		
7	808175	1	• Bulb socket		
8	828778	1	• Starter switch		REPL BY 864277
9	828676	2	• Key		
10	1581184	1	• Round nut		
11	828587	1	• Buzzer		
12	828584	1	• Switch		ALARM
	828585	1	• Switch		LIGHTING
13	828586	2	• Button		
14	828560	1	• Sign		GOLD COLOURED DECOR STRIPE.
	858645	1	• Symbol strip		WHITE COLOURED DECOR STRIPE.
15	828783	1	• Electronic unit		
16	828818	4	• Bulb		
17	828784	1	• Reflector		
18	941615	2	• Screw		
19	941904	2	• Spring washer		
20	949947	1	• Screw		
21	941904	1	• Spring washer		
22	828647	4	• Screw		
23	828648	1	• Cable kit		
24	858795	1	• Protecting casing		
		X	• CABLES AND TERMINALS	030-2225	