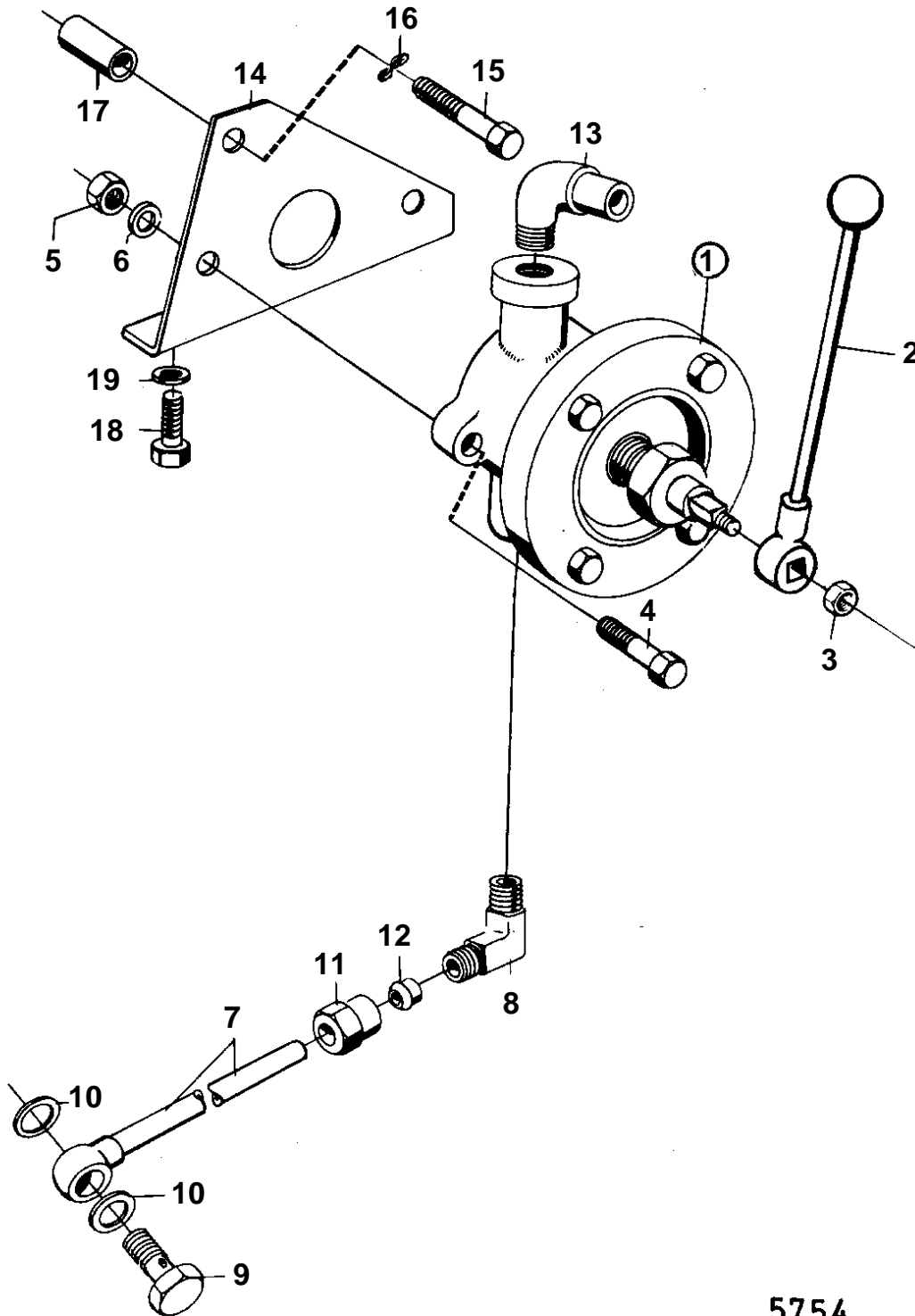


TD120AHC,TAD120AHC



5754

TD120AHC,TAD120AHC

REF	PART NO.	QTY	DESCRIPTION	NOTES
1	805999	1	Oil bilge pump	
2	821713	1	· Handle	
3	955827	1	· Nut	
4	955535	2	Screw	
5	955827	2	Nut	
6	942336	2	Spring washer	
7	836044	1	Tube	
8	941758	1	Elbow union	
9	26013	1	Hollow screw	
10	957181	2	Gasket	
11	941752	1	Nut	
12	941753	1	Ferrule	
13	803490	1	Hose attachment	
14	820582	1	Bracket	
15	955527	1	Screw	L = 57 MM
16	941907	1	Spring washer	
17	812942	1	Spacer sleeve	
18	940159	2	Screw	
19	941907	2	Spring washer	