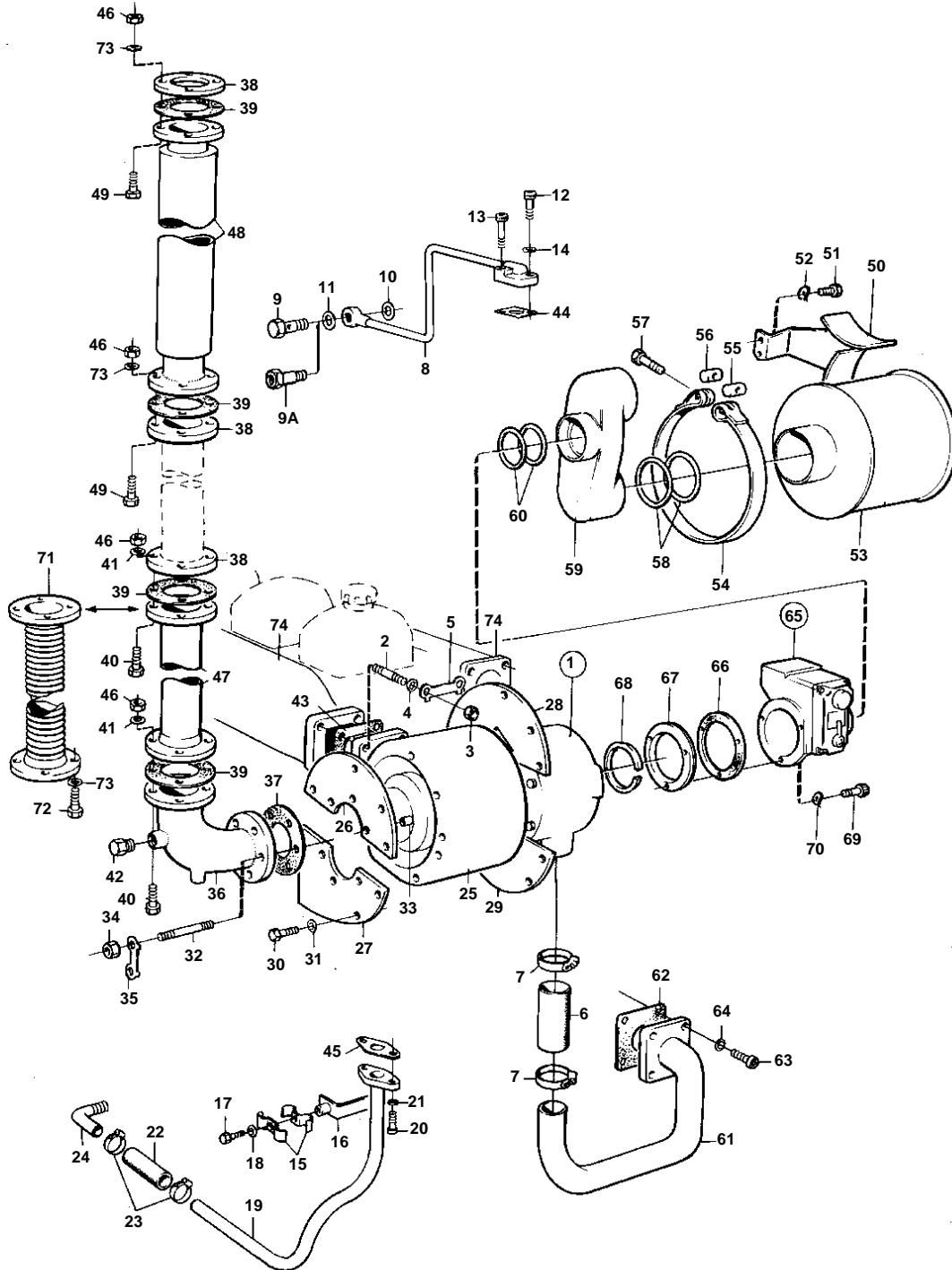


TD120AHC,TD120ARC



5768

TD120AHC,TD120ARC

REF	PART NO.	QTY	DESCRIPTION	SEE SEC.	NOTES
1	842067	1	Turbo		
	3802007	1	Turbocharger, exch		Exchange unit
				02B-2365	
	844451	1	Turbo		ALT CLASS
				02B-2365	
2	953261	4	Stud		
3	943152	4	Nut		
4	940097	4	Washer		
5	468219	2	Lock washer		
6	944375	X	Hose		L = 60 MM
7	943482	2	Hose clamp		
8	822571	1	Tube		
9	942589	1	Hollow screw		FOR ENGINE WITHOUT OIL COOLER.
9A	844116	1	Hollow screw		SEE GROUP 3. SHAFT AND SPACER RING 910396 REPLACES EARLY TYPE WITHOUT SPACER RING
10	942703	1	Gasket	IK	
11	957181	1	Gasket	IK	
12	956584	1	Screw		
13	956585	1	Screw		
14	942336	2	Spring washer		
15	820851	2	Clamp		
16	822625	1	Bracket		
17	955512	1	Screw		
18	941906	1	Spring washer		
19	822572	1	Tube		
20	940115	2	Screw		
21	942336	2	Spring washer		
22	192358	X	Rubber hose		L = 80 MM
23	943474	2	Hose clamp		
24	468629	1	Elbow nipple		
25	823352	1	Heat shield		
26	823241	1	Protecting plate		
27	823242	1	Protecting plate		
28	836324	1	Cover plate		
29	836323	1	Cover plate		
30	940113	20	Screw		
31	941907	20	Spring washer		
32	953272	6	Stud		
33	820916	6	Spacer sleeve		
34	943152	6	Nut		
35	15193	3	Lock washer		
36	822594	1	Exhaust riser		
37	411710	1	Gasket		
38	836153	3	Exhaust pipe flange		
39	807578	4	Gasket		
40	955592	8	Screw		
41	941912	8	Spring washer		
42	192154	2	Plug		
43	417382	1	Gasket	IK	REPLACED BY 1EA 4804105, 1EA 350578.
44	417378	1	Gasket	IK	REPLACED BY 1EA 4804105, 1EA 350578.
45	417381	1	Gasket	IK	REPLACED BY 1EA 4804105, 1EA 350578.
46	955829	8	Nut		
47	820900	1	Exhaust hose		L = 590 MM
48	820967	1	Muffler		L = 1033 MM
	836257	1	Muffler		L = 1370 MM
49	955591	8	Screw		
	955592	16	Screw		D42A PP SPEC. 16053, 867638.
50	842850	1	Bracket		
51	955588	2	Screw		

7742210 - 02B - 02B-1650

5768

Upd: 22 NOV 2005

TD120AHC, TD120ARC, TAD120AHC, TD120BHC, TD120BRC, TAD120BHC, TAD120CHC

VOLVO
PENTA

TD120AHC,TD120ARC

REF	PART NO.	QTY	DESCRIPTION	SEE SEC.	NOTES
52	941912	2	Spring washer		
53	842280	2	Air filter		
54	821028	2	Tensioning band		
55	31404	2	Pin		
56	31405	2	Pin		
57	31406	2	Screw		
58	925082	4	O-ring		
59	842853	1	Connection pipe		
60	925078	2	O-ring		
61	823704	1	Tube		
62	466271	1	Gasket	IK	
63	956570	4	Screw		
64	941907	4	Spring washer		
65			EMERGENCY STOP		SEE GROUP 3
66	843718	1	Gasket		ÅKERMAN.
67	843704	1	Attaching ring		ÅKERMAN.
68	843703	1	Clamping ring		ÅKERMAN.
69	959223	2	Screw		L = 30 MM. ÅKERMAN.
	959233	1	Screw		L = 80 MM. ÅKERMAN.
70	941907	3	Spring washer		ÅKERMAN.
71	843087	1	Compensator		L = 85 MM
	843088	1	Compensator		L = 185 MM
72	955365	8	Screw		
73	941912	8	Spring washer		
74			INDUCTION AND EXHAUST MANIFOLD WITH INSTALLATION COMPONENTS	02B-1850	