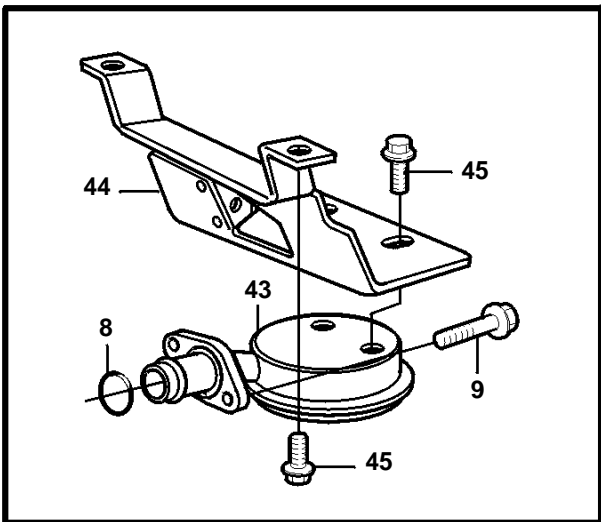
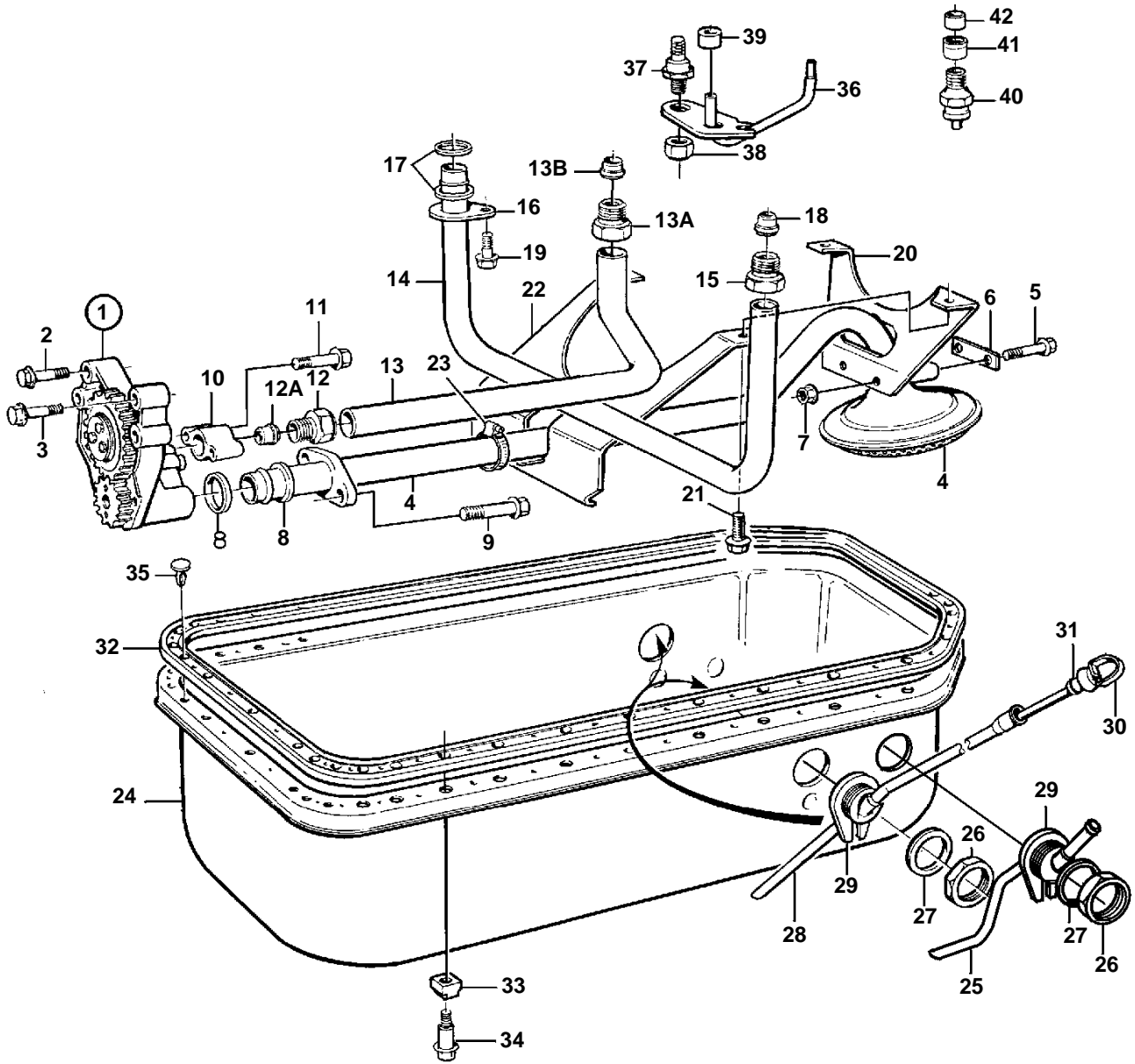


TAMD74C-A, TAMD74L-A, TAMD74P-A, TAMD74C-B, TAMD74L-B, TAMD74P-B, TAMD75P-A



17584

TAMD74C-A, TAMD74L-A, TAMD74P-A, TAMD74C-B, TAMD74L-B, TAMD74P-B, TAMD75P-A

REF	PART NO.	QTY	DESCRIPTION	SEE SEC.	NOTES
1	864760	1	Oil pump		
				1036	
2	471513	4	Screw		
3	471734	2	Screw		
4	864538	1	Oil pump screen		
5	965218	2	Screw		
6	421750	1	Washer		
7	945408	1	Flange nut		
8	470383	2	Sealing ring		
9	965184	2	Screw		
10	465846	1	Intermediate section		
11	968999	2	Screw		
12	471588	1	Pressure pipe connec		
12A	980786	1	Ferrule		
13	477948	1	Oil feed pipe		
13A	471595	1	· Pressure pipe connec		
13B	980786	1	· Ferrule		
14	420996	1	Oil feed pipe, piston cooling		
15	471595	1	· Pressure pipe connec		
16	471746	1	· Clamp		
17	471956	1	· Sealing ring		
18	980786	1	· Ferrule		
19	946440	1	Flange screw		
20	847698	1	Bracket		
21	946173	2	Flange screw		
22	3825820	1	Baffle plate		
23	943474	1	Hose clamp		
24	3827076	1	Oil pan		
25	3839162	1	Pipe		
26	468948	3	Nut		
27	468947	3	Sealing ring		
28	3839158	2	Tube		
29	1543883	3	Retainer		
30	3827182	2	Oil dipstick		Oil dipstick identified by punched partnumber.
	3827313	2	Dipstick		For engine inclination over 5°. Oil dipstick identified by punched partnumber.. For engines with negativ inclination forward.
31	925054	2	· O-ring		
32	477785	1	Gasket		
33	420991	36	Rubber cushion		
34	1556083	36	Screw		
35	943353	20	Rivet		
36	3978746	6	Oil jet		
37	471596	6	Stud		
38	948570	6	Lock nut		
39	466874	6	Sealing ring		
40	864533	1	Reducing valve		
41	864531	1	Tube		
42	980786	1	Ferrule		
43	848941	1	Oil pump screen		For engines with negativ inclination forward.
44	3826485	1	Baffle plate		For engines with negativ inclination forward.
45	946440	4	Flange screw		For engines with negativ inclination forward.