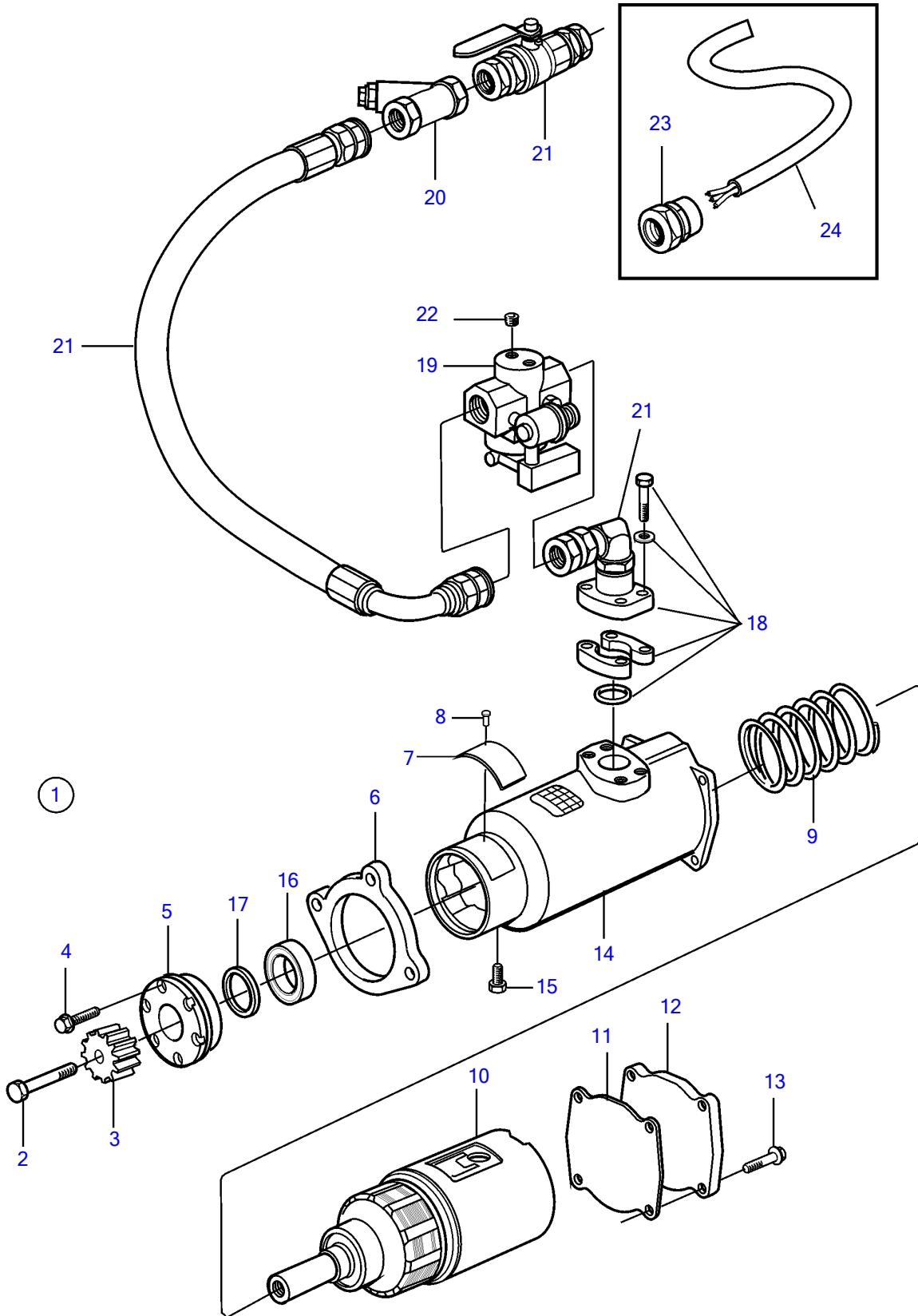


TAMD74A



TAMD74A

| REF | PART NO. | QTY | DESCRIPTION           | NOTES   |
|-----|----------|-----|-----------------------|---|
| 1   | 3829984  | 1   | Starter motor         |   |
| 2   |          | 1   | • Screw               |   |
| 3   | 3830008  | 1   | • Starter pinion      | For ST400CO1R77   |
| 4   |          | 6   | • Flange screw        |   |
| 5   |          | 1   | • Protection          |   |
| 6   |          | 1   | • Flange              |   |
| 7   |          | 1   | • Type plate          |   |
| 8   |          | 1   | • Pin                 |   |
| 9   | 3830017  | 1   | • Return spring       |   |
| 10  |          | 1   | • Rotor               |   |
| 11  |          | 1   | • Gasket              |   |
| 12  |          | 1   | • Lock                |   |
| 13  |          | 4   | • Screw               |   |
| 14  |          | 1   | • Housing             |   |
| 15  |          | 1   | • Plug                |   |
| 16  | 1544092  | 1   | • Ball bearing        | (3830024)   |
| 17  | 3830025  | 1   | • Sealing             |   |
| 18  |          | 1   | • Flange              |   |
|     |          | 2   | • • Connection flange |   |
|     |          | 4   | • • Screw             | For spare part take screw 956585 and gasket 18665.                    |
|     |          | 4   | • • Lock washer       | For spare part take screw 956585 and gasket 18665.                    |
|     |          | 1   | • • O-ring            |   |
| 19  | 3829869  | 1   | Control valve         |   |
|     | 877302   | 1   | Valve kit             | See group 99  |
|     | 877353   | 1   | Valve kit, regulator  | Tune up kit include diaphragm, seat, springs and plunger of solenoid. |
| 20  | 3830394  | 1   | Strainer              |   |
| 21  | 3829999  | 1   | Hose                  |   |
| 22  | 952075   | 1   | Plug                  |   |
| 23  | 881190   | 2   | Grommet               |   |
| 24  | 977308   | X   | Electric cable        | 2x1,5mm <sup>2</sup> , L=3000mm                                       |