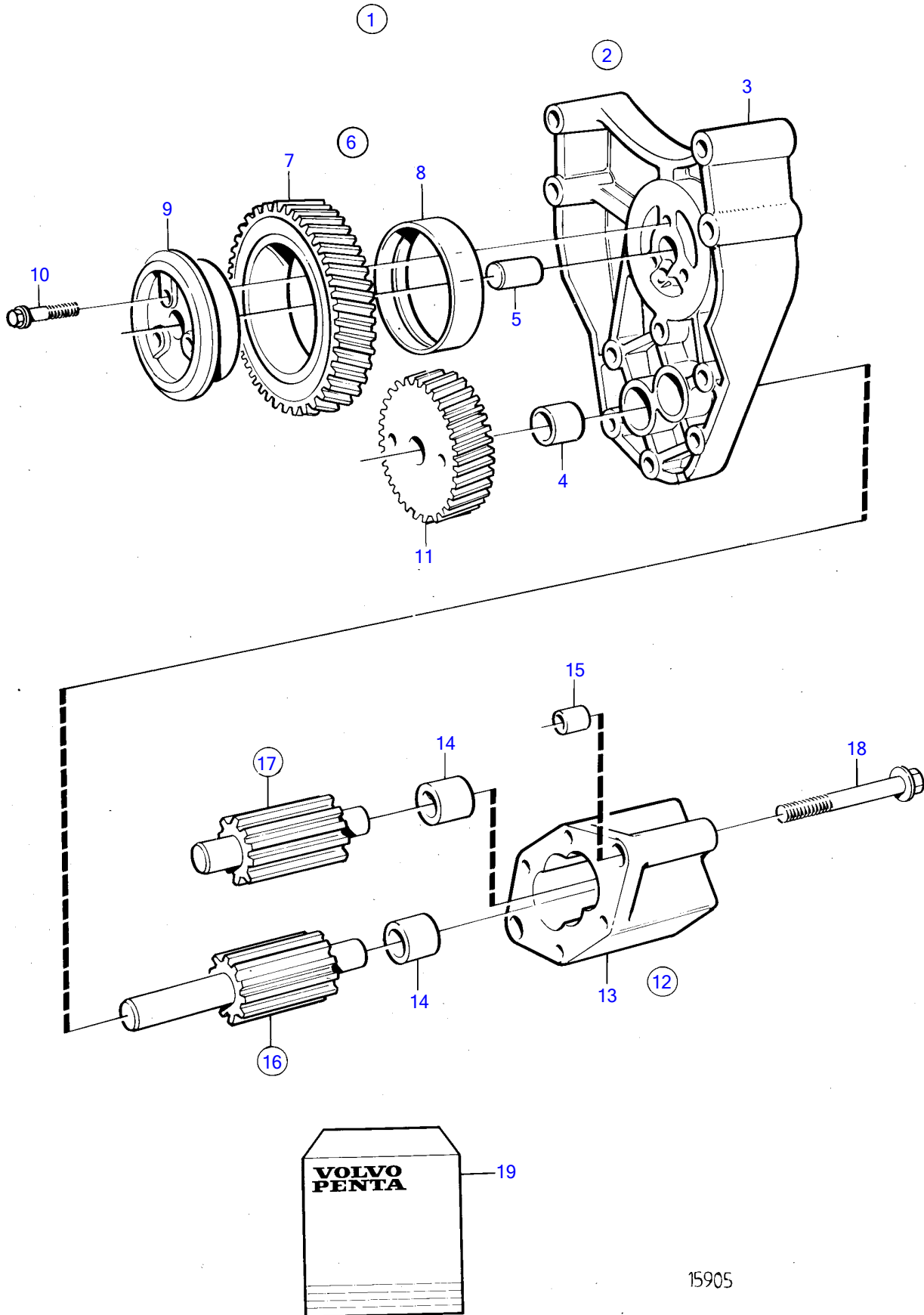


TAMD74A, TAMD74A-A, TAMD74A-B, TAMD74C-A, TAMD74C-B, TAMD74L-A, TAMD74L-B, TAMD74P-A, TAMD74P-B, TAMD75P-A



TAMD74A, TAMD74A-A, TAMD74A-B, TAMD74C-A, TAMD74C-B, TAMD74L-A, TAMD74L-B, TAMD74P-A, TAMD74P-B, TAMD75P-A

REF	PART NO.	QTY	DESCRIPTION	NOTES
1	471733	1	Oil pump	Replaced by 477547
2	471571	1	• Bracket	
3		1	• • Bracket	
4	470347	2	• • • Bushing	Included in overhaul kit.
5	191171	1	• • Pin	
6	471942	1	• Idler gear	
7		1	• • Idler gear	
8		1	• • Bushing	
9	420048	1	• Bearing sleeve	
10	471586	1	• Screw	
11	471941	1	• Gear	
12		1	• Housing	
13		1	• • Housing	
14	470347	2	• • • Bushing	Included in overhaul kit.
15	401146	2	• • Guide sleeve	
16		1	• Shaft,with gear	Included in overhaul kit.
17		1	• Shaft,with gear	Included in overhaul kit.
18	965218	2	• Flange screw	L=75mm
19	276152	1	Overhaul kit	See group 99