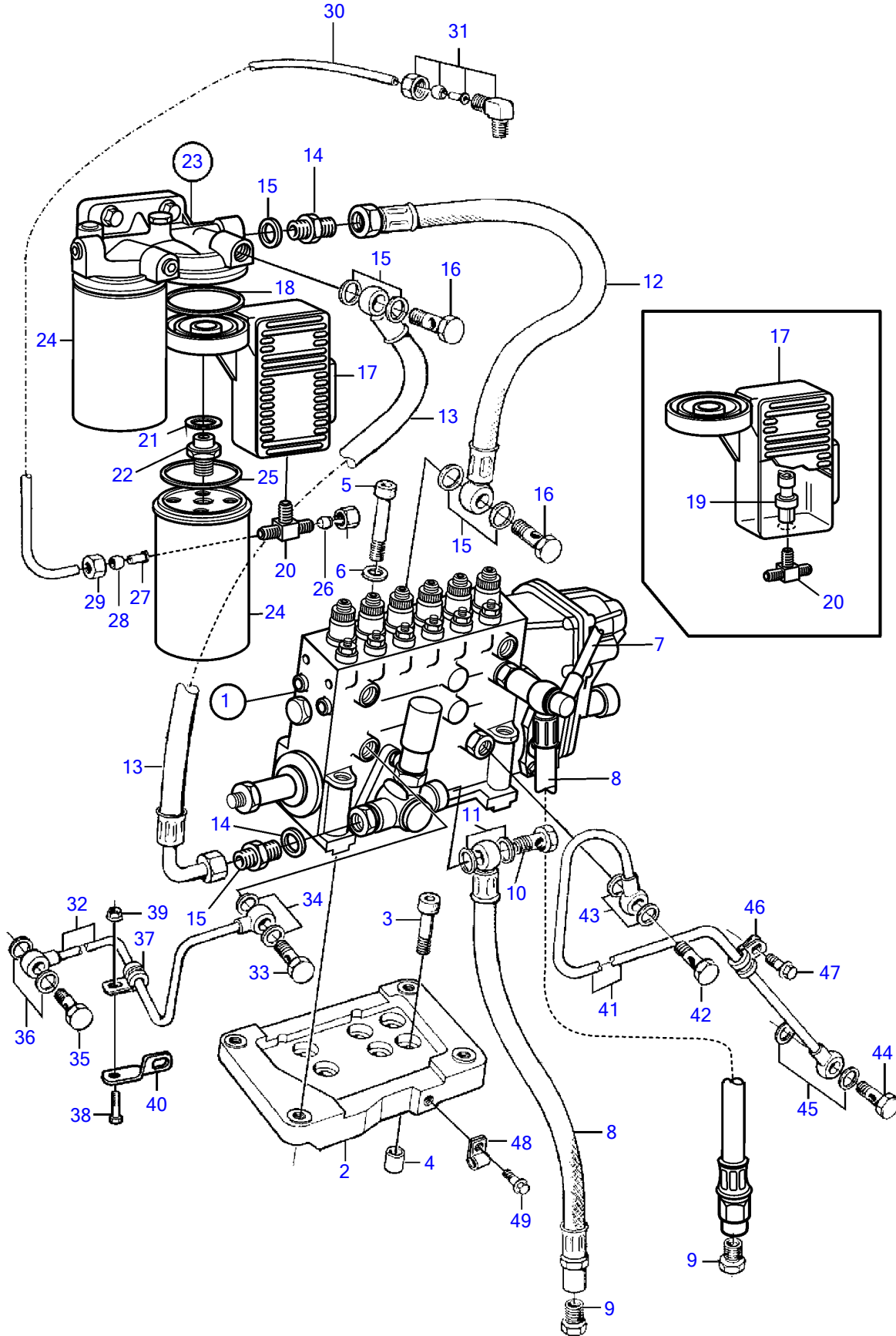


TAMD74C-A, TAMD74C-B



TAMD74C-A, TAMD74C-B

REF	PART NO.	QTY	DESCRIPTION	SEE SEC.	NOTES
1	3803791	1	Injection pump		
			.		
			.	5481	
2	(477773)	1	Shelf		Obsolete part
3	965185	4	Flange screw		L=40mm
4	417588	2	Guide sleeve		
5	959250	4	Hex. socket screw		L=90mm
6	941908	4	Spring washer		
7		1	Leak-off line, fuel hose connecting	5155	
8	3830312	2	Hose		
9	22753	2	Nipple		
10	25167	1	Hollow screw		
11	969011	2	Gasket		
12	3830306	1	Hose		L=445mm
13	3830307	1	Hose		L=460mm
14	941754	2	Nipple		
15	969011	6	Gasket		
16	25167	2	Hollow screw		
17	3819877	1	Control unit, 331kW/2600rpm		
			• Bulletin P-28-4-10	P-28-4-10-EN	ECU and Software Related Changes
			• Bulletin p-28-4-16	p-28-4-16-EN	New Order Routine for Electronic Control Units for EDC1
17	3819879	1	Control unit, 316kW/2500rpm		
			• Bulletin P-28-4-10	P-28-4-10-EN	ECU and Software Related Changes
			• Bulletin p-28-4-16	p-28-4-16-EN	New Order Routine for Electronic Control Units for EDC1
17	3819881	1	Control unit, 294kW/2500rpm		
			• Bulletin P-28-4-10	P-28-4-10-EN	ECU and Software Related Changes
			• Bulletin p-28-4-16	p-28-4-16-EN	New Order Routine for Electronic Control Units for EDC1
18	3582285	1	• Sealing ring		
19	881708	1	• Pressure sensor		
20	946082	1	• T-nipple		
21	955904	1	Washer		
22	3835801	1	Nipple		
23	8194541	1	Fuel filter housing		(1676832)
			.		
			.	4905	
24	3825133	2	Fuel filter	4905	
25		1	Gasket	4905	
26	943006	1	Plug		
27	944717	1	Support sleeve		
28	954364	1	Sleeve		
29	954356	2	Fitting nut		
30	945460	1	Tube	4473	
31		1	Connector	4473	
32	477986	1	Oil pressure pipe		
33	48634	1	Hollow screw		
34	947281	2	Gasket		
35	969299	1	Hollow screw		
36	11994	2	Gasket		
37	952623	1	Clamp		
38	946544	1	Flange screw		
39	945407	1	Flange nut		
40	1136551	1	Anchorage		
41	3832387	1	Tube		
42	48634	1	Hollow screw		
43	907132	2	Gasket		
44	25167	1	Hollow screw		
45	969011	2	Gasket		
46	947191	1	Clamp		
47	946471	1	Flange screw		
48	940374	1	Clamp		
49	946440	1	Flange screw		