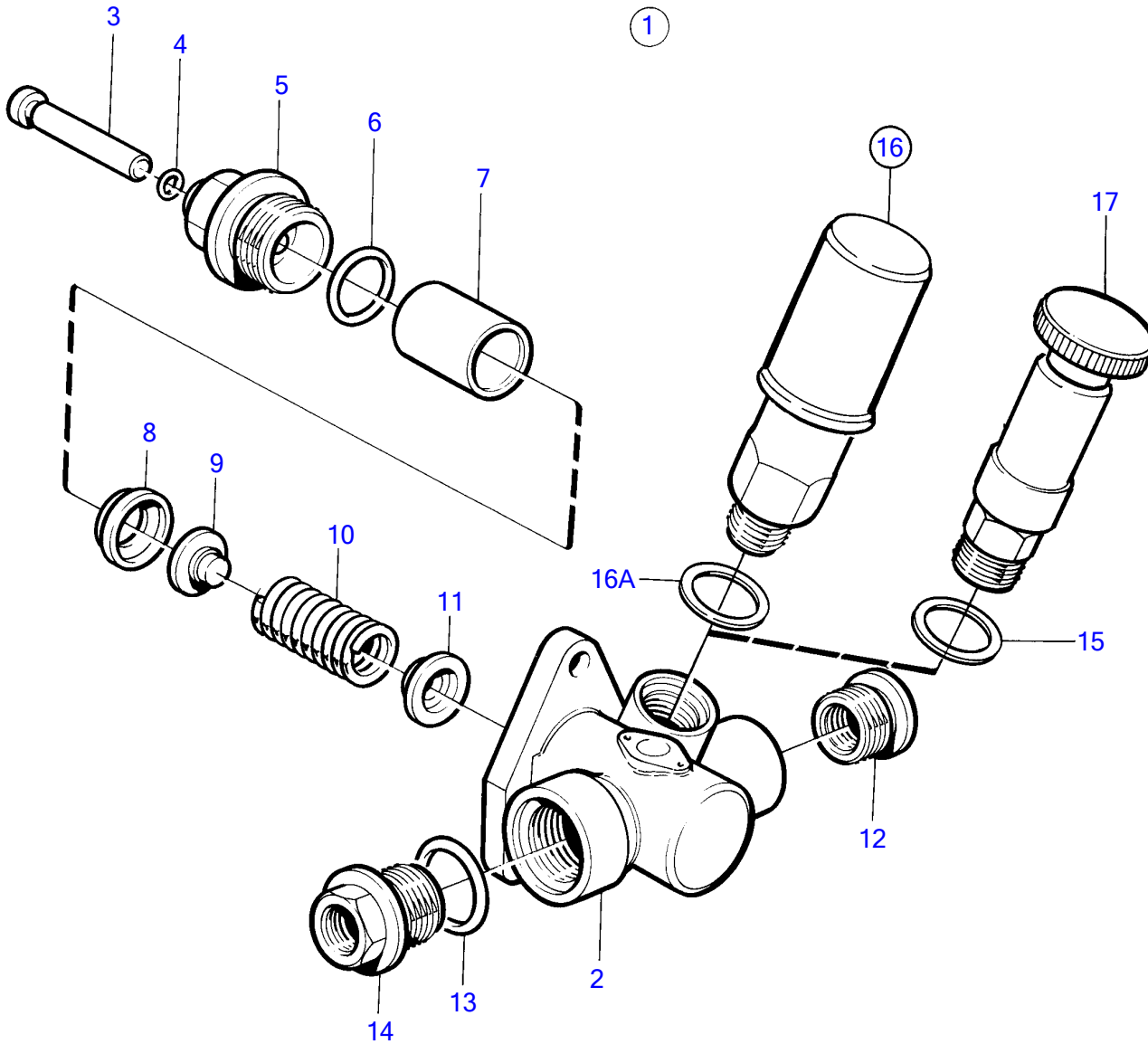


TAMD74A, TAMD74A-A, TAMD74A-B, TAMD74C-A, TAMD74C-B, TAMD74L-A, TAMD74L-B, TAMD74P-A, TAMD74P-B, TAMD75P-A



16882

TAMD74A, TAMD74A-A, TAMD74A-B, TAMD74C-A, TAMD74C-B, TAMD74L-A, TAMD74L-B, TAMD74P-A, TAMD74P-B, TAMD75P-A

| REF | PART NO. | QTY | DESCRIPTION             |
|-----|----------|-----|-------------------------|
| 1   | 863474   | 1   | Feed pump               |
| 2   |          | 1   | • Housing               |
| 3   | 862461   | 1   | • Piston                |
| 4   | 244829   | 1   | • O-ring                |
| 5   | 244827   | 1   | • Housing               |
| 6   | 244828   | 1   | • O-ring                |
| 7   | 244831   | 1   | • Piston                |
| 8   | 11706665 | 1   | • Spacer ring           |
| 9   | 244834   | 1   | • Valve                 |
| 10  | 862462   | 1   | • Compression spring    |
| 11  | 244833   | 2   | • Spring disc           |
| 12  | 244836   | 1   | • Bushing               |
| 13  | 244838   | 1   | • O-ring                |
| 14  | 244837   | 1   | • Fitting               |
| 15  | 240572   | 1   | • Gasket                |
| 16  | 3826073  | 1   | • Hand pump             |
| 16A | 240572   | 1   | • • Gasket              |
| 17  | 843435   | 1   | Hand pump, classifiable |