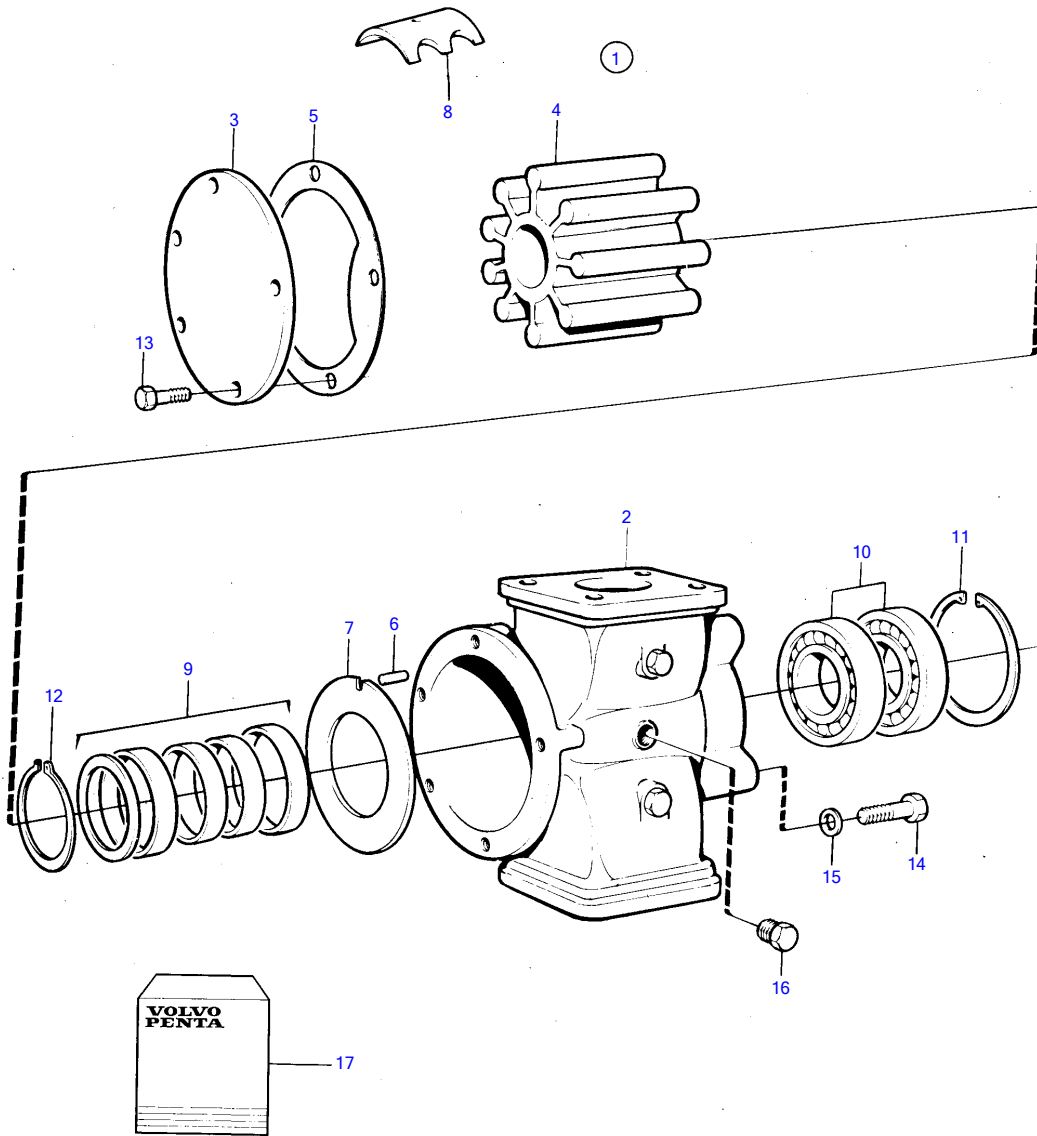


TAMD74A, TAMD74A-A, TAMD74A-B, TAMD74C-A, TAMD74C-B, TAMD74L-A, TAMD74L-B, TAMD74P-A, TAMD74P-B, TAMD75P-A



16324

TAMD74A, TAMD74A-A, TAMD74A-B, TAMD74C-A, TAMD74C-B, TAMD74L-A, TAMD74L-B, TAMD74P-A, TAMD74P-B, TAMD75P-A

REF	PART NO.	QTY	DESCRIPTION	NOTES
1	846104	1	Bilge pump	1 1/4"
2	822788	1	• Pump housing	
3	825727	1	• Pump cover	
4		1	• Impeller	Included in impeller kit.
5	3829314	1	• Gasket	(825728)
6	826229	1	• Locking pin	
7	826230	1	• Wear washer	
8	849321	1	• Cam	
9	822767	1	• Sealing	
10	181648	2	• Ball bearing	
11	914533	1	• Snap ring	
12	943468	2	• Snap ring	
13	959931	5	• Hexagon screw	
14	940135	4	• Hexagon screw	
15	941906	3	• Spring washer	
16	825730	1	• Screw	
17	875736	1	Impeller kit	