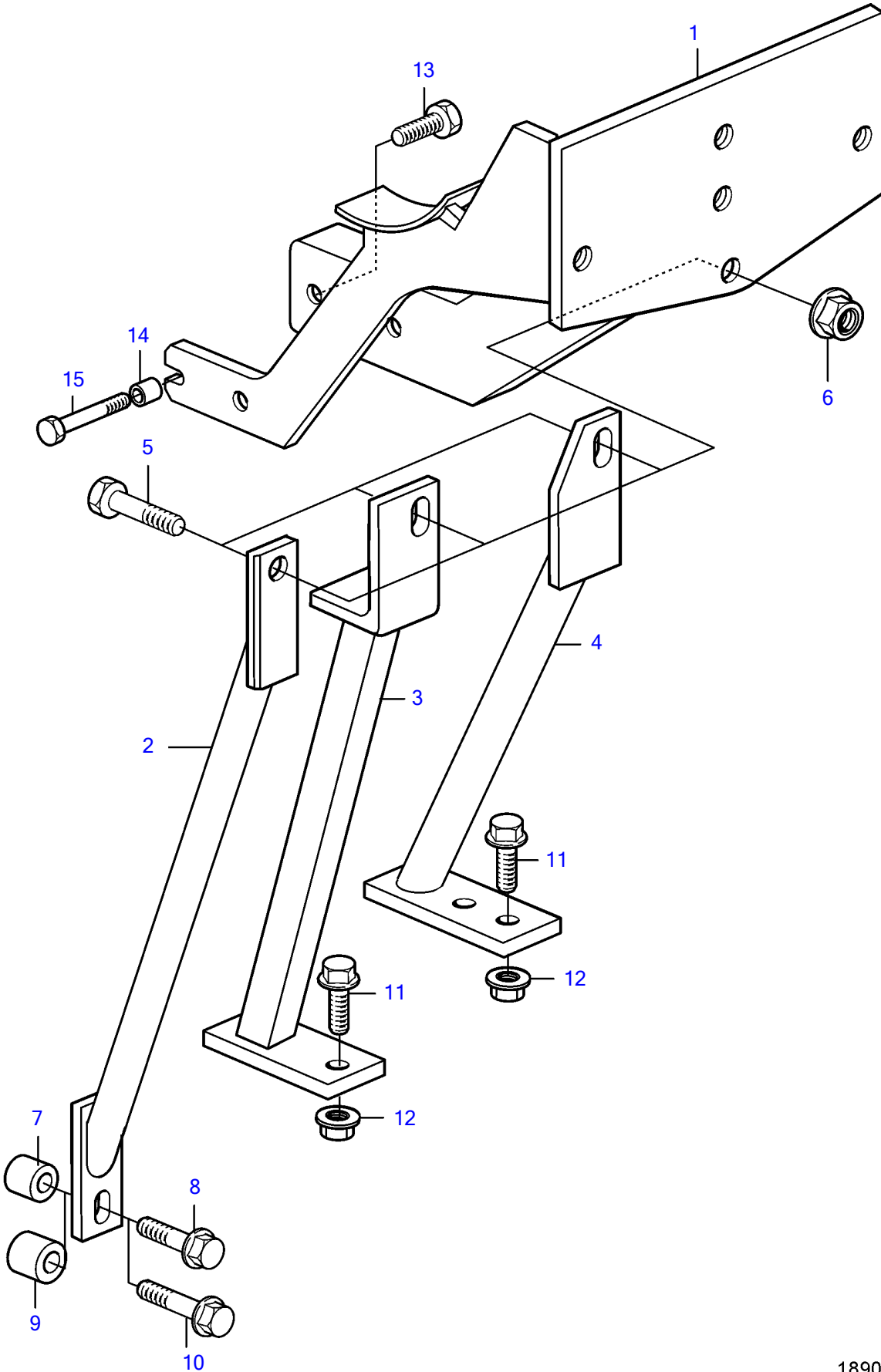


TAMD74A-A, TAMD74A-B



## TAMD74A-A, TAMD74A-B

REF	PART NO.	QTY	DESCRIPTION	NOTES
1	(3829688)	1	Bracket	Obsolete part
2	3830802	1	Bracket	Also for bobtail
5	946472	1	Flange screw	L=10mm
6	971095	1	Flange nut	
7	855773	1	Spacer sleeve	11x22x20
8	955537	1	Hexagon screw	3/8UNCx51
9	845884	1	Spacer sleeve	For bobtail, 11x22x30
10	955539	1	Hexagon screw	For bobtail, 3/8UNCx64
13	946329	3	Flange screw	
14	973430	1	Spacer sleeve	10.4x20x36
15	965187	1	Flange screw	L=60mm