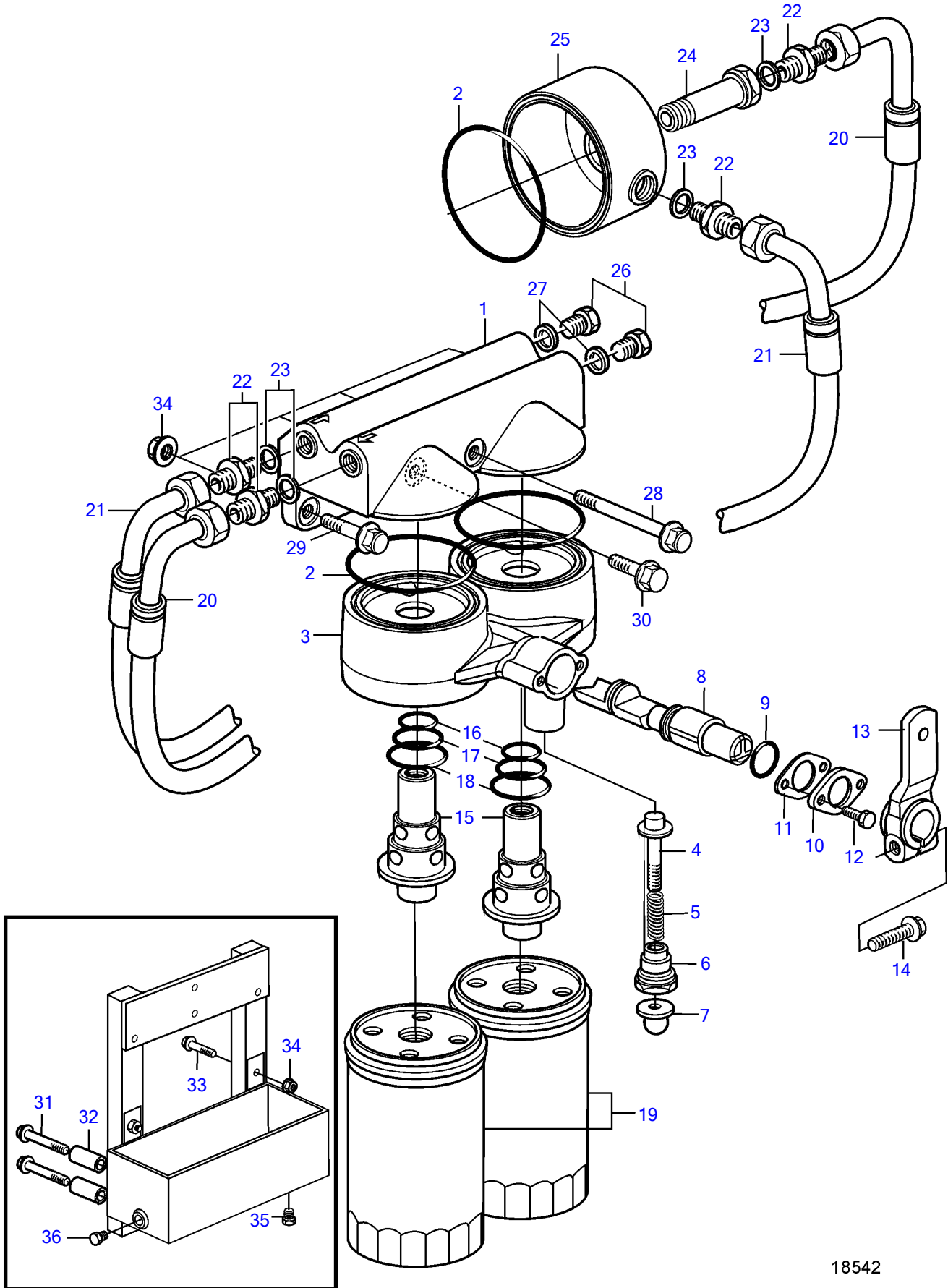


TAMD74A



18542

## TAMD74A

REF	PART NO.	QTY	DESCRIPTION	NOTES
1	11031901	1	Oil filter housing	
2	948981	3	O-ring	
3		1	Valve housing	
4	3830181	1	Dowel	
5	466653	1	Compression spring	
6	3830176	1	Sleeve	
7	940344	1	Wing nut	
8	3826152	1	Shift valve	
9	949657	1	O-ring	
10	842912	1	Flange	
11	11998	1	Gasket	
12	946544	2	Flange screw	
13	964408	1	Intermediate lever	
14	946752	1	Flange screw	
15	3829975	2	Nipple	
16	20536487	2	O-ring	(3165747)
17	948610	2	O-ring, middle	
18	969415	2	O-ring	
19	847741	2	Oil filter	
20	3831217	1	Hose	L=1091mm
21	3831215	1	Hose	L=851mm
22	982254	4	Nipple	
23	907136	4	Gasket	
24	3827458	1	Nipple	
25	3827459	1	Cover	
26	960634	2	Plug	
27	947627	2	Gasket	
28	968237	1	Flange screw	L=120mm
29	965188	2	Flange screw	L=70mm
30	946472	1	Flange screw	L=30mm
31	965189	4	Flange screw	L=90mm
32	845342	8	Spacer sleeve	L=32mm
33	965221	2	Flange screw	L=55mm
34	971098	10	Flange lock nut	
35	479956	1	Plug	(192154)
36	960632	1	Plug	