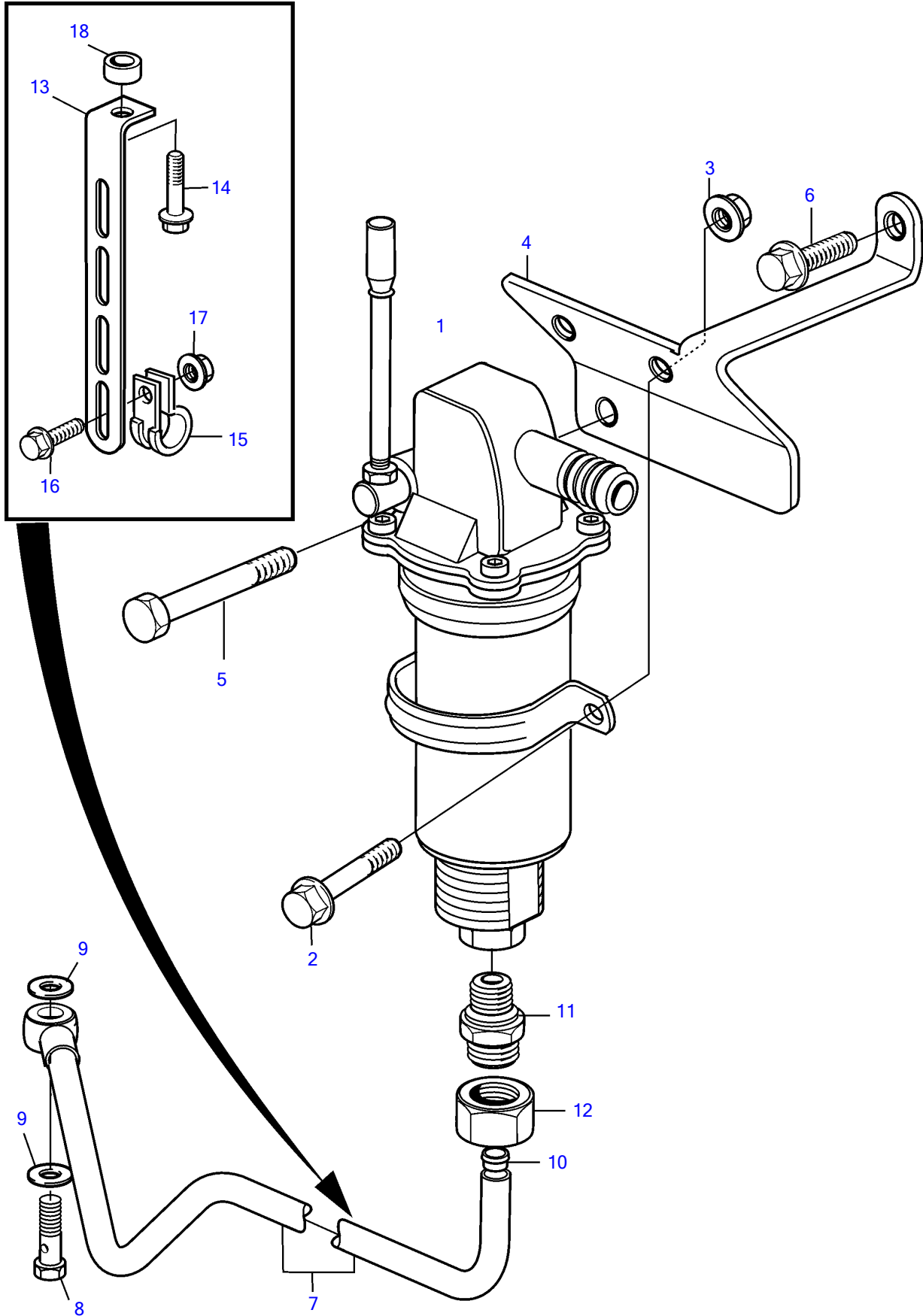


TAMD74A-A, TAMD74A-B



18529

Upd:2011-09-22

18529

7740900-22-4951

TAMD74A-A, TAMD74A-B

REF	PART NO.	QTY	DESCRIPTION	NOTES
1	3827475	1	Oil drain pump	
2	946173	2	Flange screw	
3	945408	2	Flange nut	
4	(3829686)	1	Bracket	Obsolete part
5	965223	1	Flange screw	For hydraulic starter 1pc tube 3830358, 2pcs spacer sleeve 820916, 1pc screw 965187 and 1pc flange screw 969313., L=75mm
6	946329	1	Flange screw	For hydraulic starter 1pc tube 3830358, 2pcs spacer sleeve 820916, 1pc screw 965187 and 1pc flange screw 969313., L=25mm
7	3829687	1	Tube	For hydraulic starter 1pc tube 3830358, 2pcs spacer sleeve 820916, 1pc screw 965187 and 1pc flange screw 969313.
8	191929	1	Hollow screw	
9	18677	4	Gasket	
10	956973	1	Ferrule	
11	978347	1	Nipple	
12	956987	1	Fitting nut	
13	965567	1	Bracket	
14	946470	1	Flange screw	L=35mm
15	952632	1	Clamp	
16	946934	1	Flange screw	L=20mm
17	945407	1	Flange nut	
18	470467	1	Spacer sleeve	