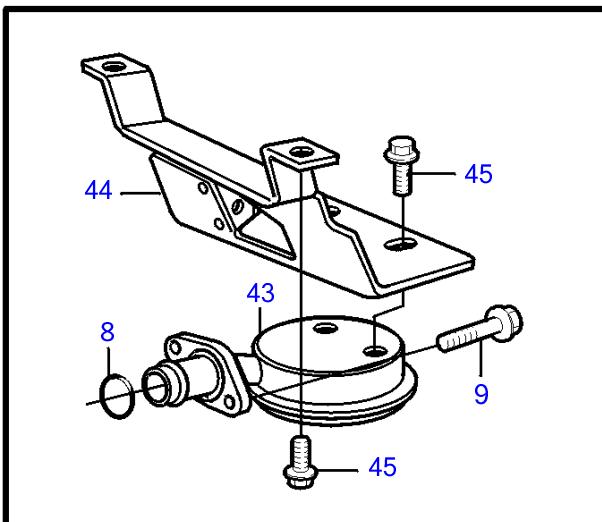
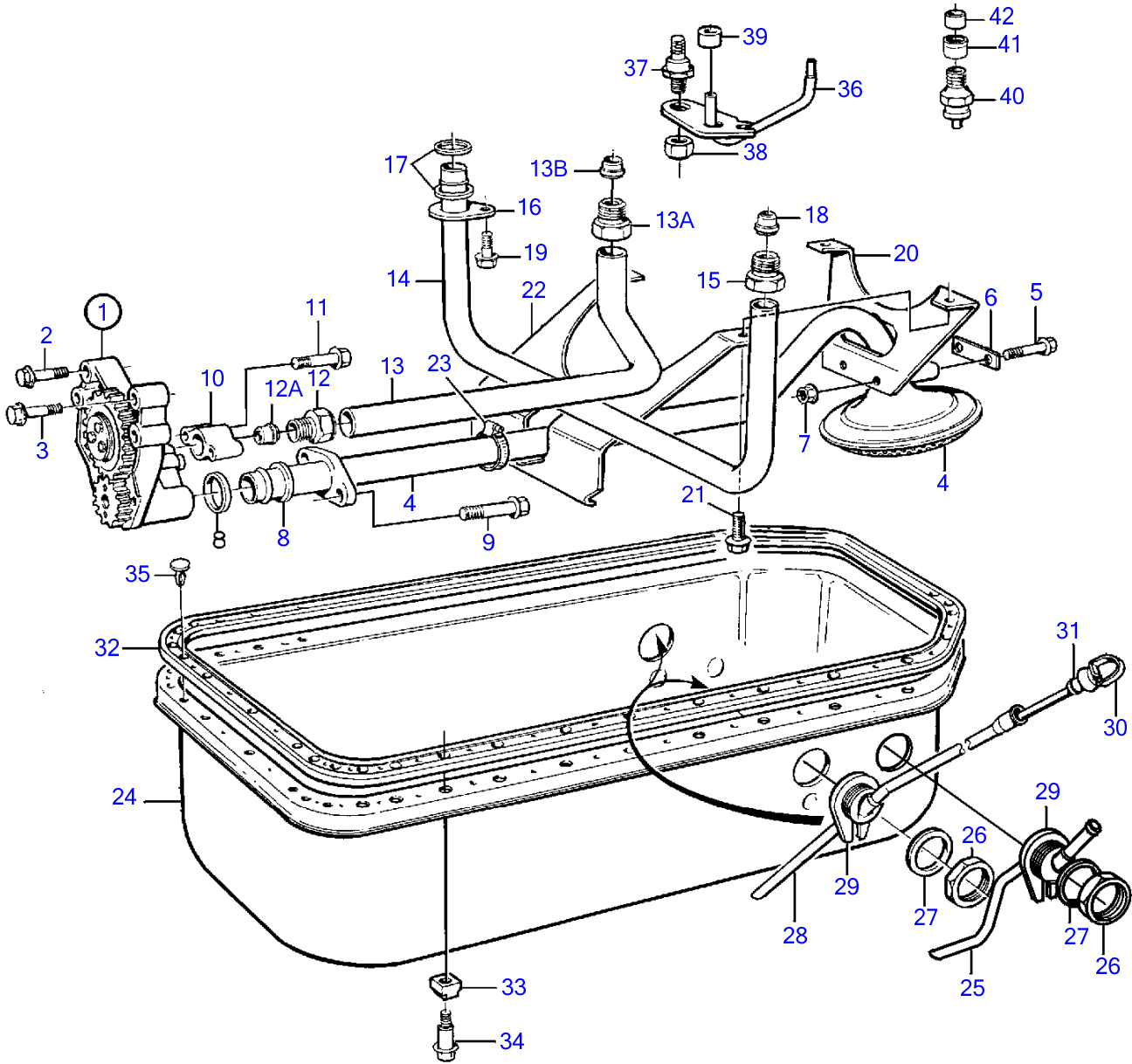


TAMD74C-A, TAMD74C-B, TAMD74L-A, TAMD74L-B, TAMD74P-A, TAMD74P-B, TAMD75P-A



17584

TAMD74C-A, TAMD74C-B, TAMD74L-A, TAMD74L-B, TAMD74P-A, TAMD74P-B, TAMD75P-A

REF	PART NO.	QTY	DESCRIPTION	SEE SEC.	NOTES
1	864760	1	Oil pump		
			•	1537	
			•		
2	471513	4	Screw		
3	471734	2	Screw		
4	864538	1	Suction pipe		
5	965218	2	Flange screw		
6	421750	1	Square washer		
7	945408	1	Flange nut		
8	470383	2	Sealing ring		
9	965184	2	Flange screw		
10	465846	1	Spacer		
11	968999	2	Flange screw		
12	471588	1	Oil feed pipe		
12A	980786	1	Ferrule		
13	477948	1	Oil pressure pipe		
13A	471595	1	• Pressure pipe connec		
13B	980786	1	• Ferrule		
14	420996	1	Oil pressure pipe, piston cooling		
15	471595	1	• Pressure pipe connec		
16	471746	1	• Clamp		
17	471956	1	• Gasket		
18	980786	1	• Ferrule		
19	946440	1	Flange screw		
20	847698	1	Bracket		
21	946173	2	Flange screw		
22	3825820	1	Baffle plate		
23	943474	1	Hose clamp		
24	3827076	1	Sump		
25	3818681	1	Pipe		
26	468948	3	Nut		
27	468947	3	Sealing ring		
28	3818664	2	Pipe		
29	1543883	3	Retainer		
30	(3827182)	2	Dipstick		Oil dipstick identified by punched partnumber., Obsolete part
	3827313	2	Dipstick		For engine inclination over 5°. , Oil dipstick identified by punched partnumber., For engines with negativ inclination forward.
31	925054	2	• O-ring		
32	477785	1	Gasket		
33	420991	36	Rubber cushion		
34	1556083	36	Flange screw		
35	943353	20	Plastic rivet		
36	3978746	6	Piston cooling jet		
37	471596	6	Stud		
38	948570	6	Lock nut		
39	466874	6	Sealing ring		
40	864533	1	Reduction valve		
41	864531	1	Tube		
42	980786	1	Ferrule		
43	848941	1	Oil strainer		For engines with negativ inclination forward.
44	3826485	1	Baffle plate		For engines with negativ inclination forward.
45	946440	4	Flange screw		For engines with negativ inclination forward.

7740900-22-3842

17584

Upd:2011-09-22

TAMD74A, TAMD74A-A, TAMD74A-B, TAMD74C-A, TAMD74C-B, TAMD74L-A, TAMD74L-B, TAMD74P-A, TAMD74P-B, TAMD75P-A

