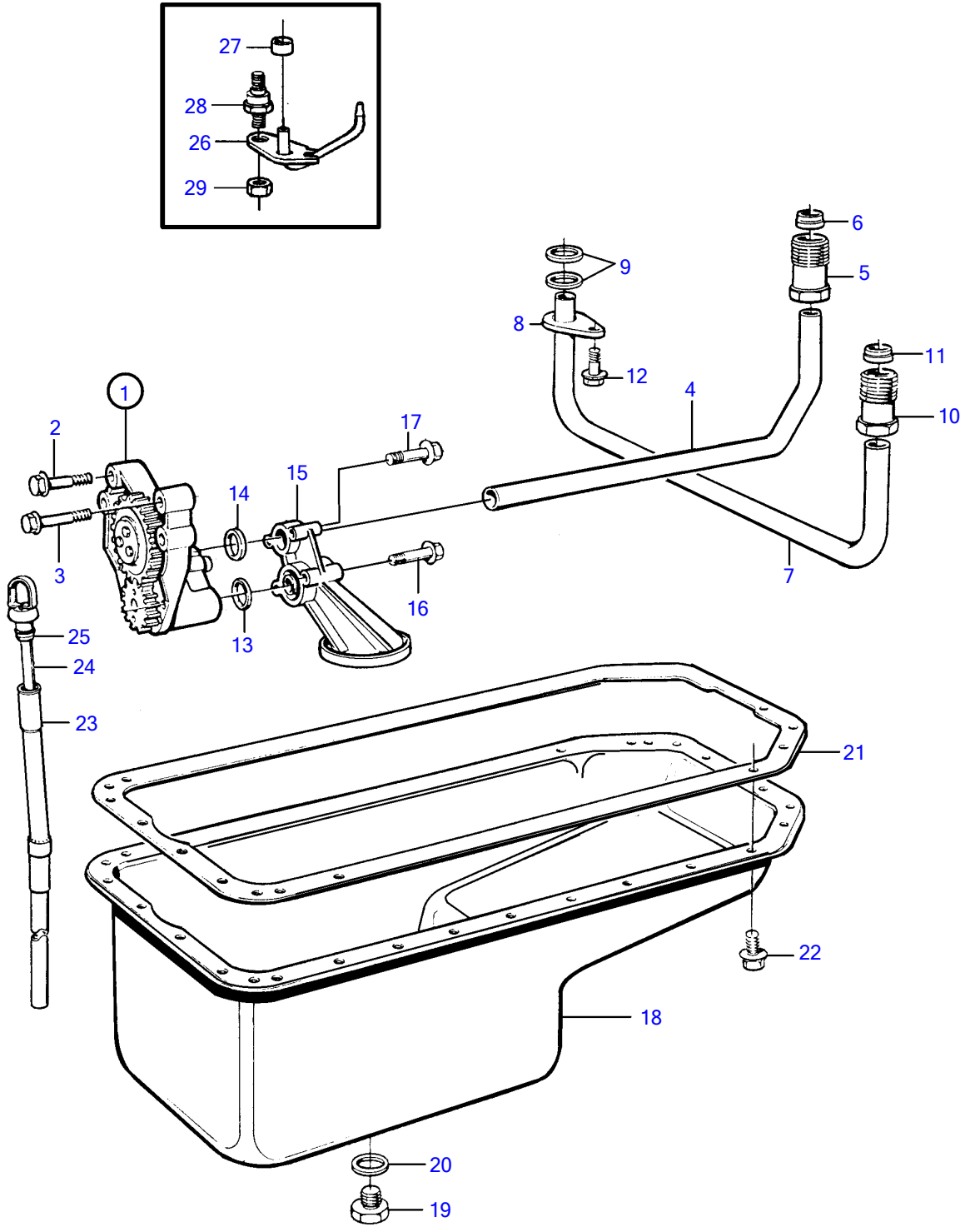


TAMD74A-A, TAMD74A-B



TAMD74A-A, TAMD74A-B

REF	PART NO.	QTY	DESCRIPTION	SEE SEC.	NOTES
1	864760	1	Oil pump		
			•	1537	
			•		
2	471513	4	Screw		M10x70mm
3	471734	2	Screw		M8x70mm
4	477948	1	Oil pressure pipe		
5	471595	1	• Pressure pipe connec		
6	980786	1	• Ferrule		
7	420996	1	Oil pressure pipe, piston cooling		
8	471746	1	• Clamp		
9	471956	2	• Gasket		
10	471588	1	• Oil feed pipe		
11	980786	1	• Ferrule		
12	946440	1	Flange screw		
13	949659	1	O-ring		
14	471956	1	Gasket		
15	420725	1	Oil strainer		
16	968892	2	Flange screw		
17	969225	2	Flange screw		
18	421026	1	Oil sump		
19	192538	1	• Magnetic plug		
20	18677	1	• Gasket		
21	11030779	1	Gasket		(865342)
22	946440	36	Flange screw		
23	3837267	1	Tube		Oil dipstick mounted on right side.
	862055	1	Pipe		Oil dipstick mounted on left side.
24	863797	1	Oil dipstick		Oil dipstick mounted on right side.
	862197	1	Oil dipstick		Oil dipstick mounted on left side.
25	925054	1	• O-ring		For 863797
	955984	1	O-ring		For 862197
26	420628	6	Piston cooling jet		
27	466874	6	Sealing ring		
28	471596	6	Stud		
29	948570	6	Lock nut		