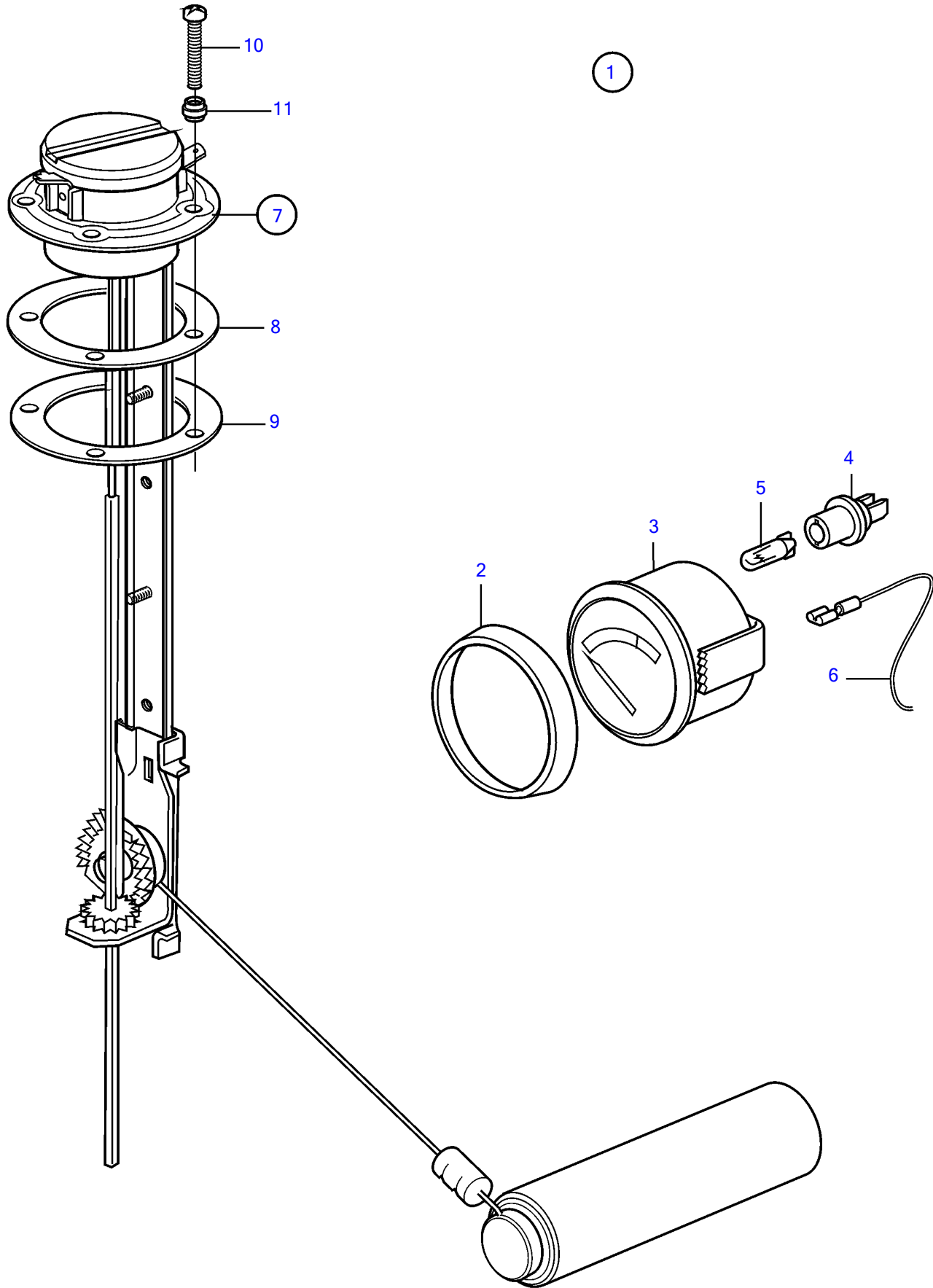


TAMD74A-A, TAMD74A-B, TAMD74C-A, TAMD74C-B, TAMD74L-A, TAMD74L-B, TAMD74P-A, TAMD74P-B, TAMD75P-A



TAMD74A-A, TAMD74A-B, TAMD74C-A, TAMD74C-B, TAMD74L-A, TAMD74L-B, TAMD74P-A, TAMD74P-B, TAMD75P-A

REF	PART NO.	QTY	DESCRIPTION	SEE SEC.	NOTES
1		1	Tank gauge kit		
2	858643	1	• Front ring		
3	863943	1	• Level gauge, fresh water		
4	863945	1	• • Lamp socket		For instruments of early production should white bulb 182059 and bulb holder 808175 be mounted.
5	863947	1	• • Bulb		For instruments of early production should white bulb 182059 and bulb holder 808175 be mounted.
6		X	• electrical materials	1963	
7	834389	1	• Tank sensor		
8	89865	1	• • Gasket		
9	834480	1	• • Flange		
10	956078	4	• • Cross recessed screw		L=16mm
	956081	1	• • Cross recessed screw		L=25mm
11	834481	5	• • Gasket		