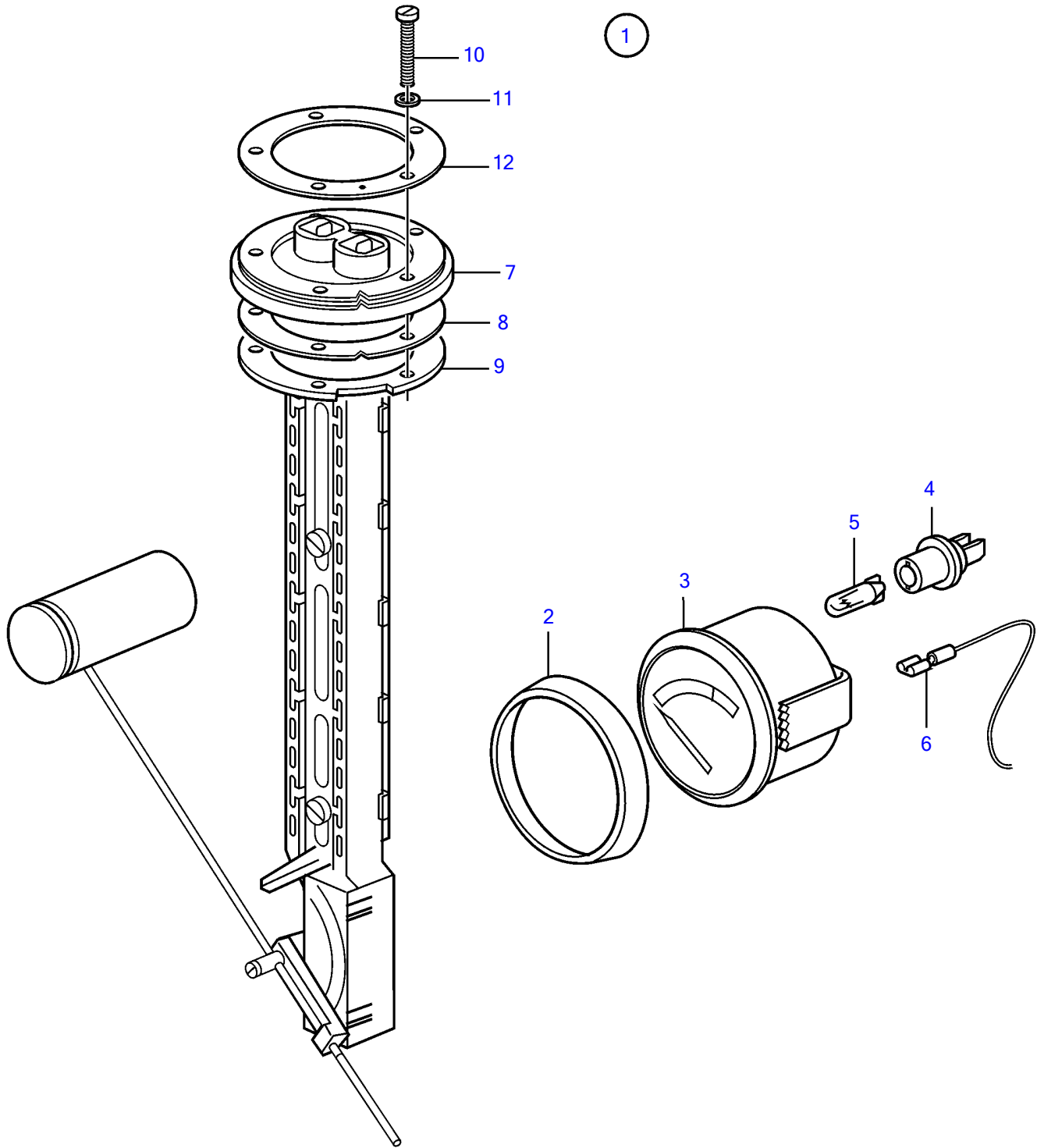


TAMD74A-A, TAMD74A-B, TAMD74C-A, TAMD74C-B, TAMD74L-A, TAMD74L-B, TAMD74P-A, TAMD74P-B, TAMD75P-A



TAMD74A-A, TAMD74A-B, TAMD74C-A, TAMD74C-B, TAMD74L-A, TAMD74L-B, TAMD74P-A, TAMD74P-B, TAMD75P-A

| REF | PART NO. | QTY | DESCRIPTION | SEE SEC. | NOTES |
|-----|----------|-----|--------------------------|----------|---|
| 1 | | 1 | Fuel gauge kit | | |
| 2 | 858643 | 1 | • Front ring | | |
| 3 | 863941 | 1 | • Fuel gauge | | |
| 4 | 863945 | 1 | • • Lamp socket | | For instruments of early production should white bulb 182059 and bulb holder 808175 be mounted. |
| 5 | 863947 | 1 | • • • Bulb | | |
| 6 | | X | • electrical materials | 1963 | |
| 7 | 873772 | 1 | • Tank sensor | | (837999) |
| 8 | 89865 | 1 | • • Gasket | | |
| 9 | 834480 | 1 | • • Flange | | |
| 10 | 956078 | 4 | • • Cross recessed screw | | L=16mm |
| | 956081 | 1 | • • Cross recessed screw | | L=25mm |
| 11 | 834481 | 5 | • • Gasket | | |
| 12 | | 1 | • • Flange | | |