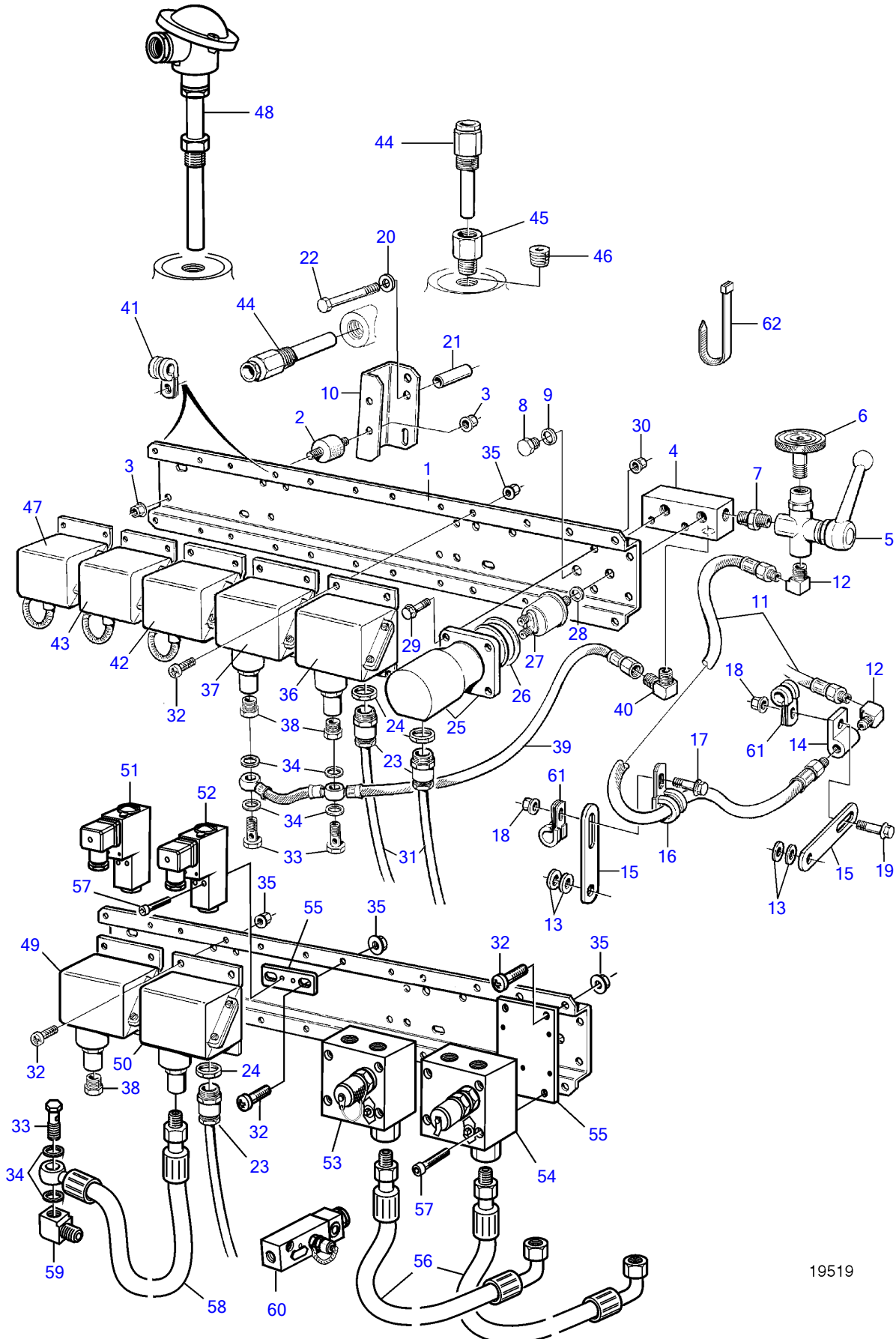


TAMD74A-A, TAMD74A-B



19519

TAMD74A-A, TAMD74A-B

REF	PART NO.	QTY	DESCRIPTION	SEE SEC.	NOTES
1		1	Bracket		
2	863415	4	Rubber cushion		
3	948645	8	Flange lock nut		
4	866704	1	Bracket		
5	3826337	1	Valve		
6	3826310	1	Flange		
7	191095	1	Nipple		
8	479979	1	Plug		
9	18665	1	Gasket		
10	3826000	2	Bracket		
11	3826006	2	Hose		
12	957107	2	Elbow nipple		
13	960144	4	Washer		
14	813006	1	Fitting		
15	965539	2	Bracket		
16	952627	1	Clamp		
17	946544	1	Flange screw		
18	949278	2	Flange lock nut		
19	946934	1	Flange screw		
20	955899	4	Washer		
21	845884	4	Spacer sleeve		
22	970964	4	Hexagon screw		
23	881191	6	Grommet		
24	880244	1	Nut		
25	849670	1	Protecting casing		
26	843584	1	Gasket		
27		1	Pressure sensor, oil-engine		See group 30
28		1	Gasket		See group 30
29	945444	4	Flange screw		
30	963106	4	Lock nut		
31	874854	X	Power cable		Non reinforced ship cable approved by classification societies., 2x1,5mm ²
32	956093	20	Cross recessed screw		
33	48634	2	Hollow screw		
34	907132	4	Gasket		
35	949278	20	Flange lock nut		
36	873713	1	Pressure monitor, engine oil alarm		2,0 bar
37	873713	1	Pressure monitor, engine oil auto stop		1,5 bar
38	3826034	2	Nipple		
39	3826001	1	Hose		
40	957107	1	Elbow nipple		
41	952627	2	Clamp		
42	873714	1	Thermo monitor, coolant alarm		92°C
43	873714	1	Thermo monitor, coolant auto stop		98°C
44	873715	3	Sleeve		
45	(981426)	1	Reduction nipple		Obsolete part
46		1	Plug	6128	
47	873714	1	Thermo monitor, engine oil alarm		125°C
48		1	Ect sensor, coolant water		See group 30
49	874178	1	Thermometer, exhaust		
			Ect sensor, exhaust		See group 30
50	3829872	1	Pressure sensor, CU 2500		
51	3831436	1	Pressure monitor, seawater pipe		0.5-3bar
52	3831437	1	Pressure monitor		0-40bar
53	874801	1	Block		
54	3831444	1	Block		
55		1	Attaching plate		
56	(3831465)	1	Hose		L=1050mm, Obsolete part
57	947671	4	Hex. socket screw		L=40mm
58	3829873	1	Hose		L=238mm
59	957107	1	Elbow nipple		
60	3831442	1	Block		Block valve for pressure test., (874800)

7740900-30-4985

19519

Upd:2011-09-22

