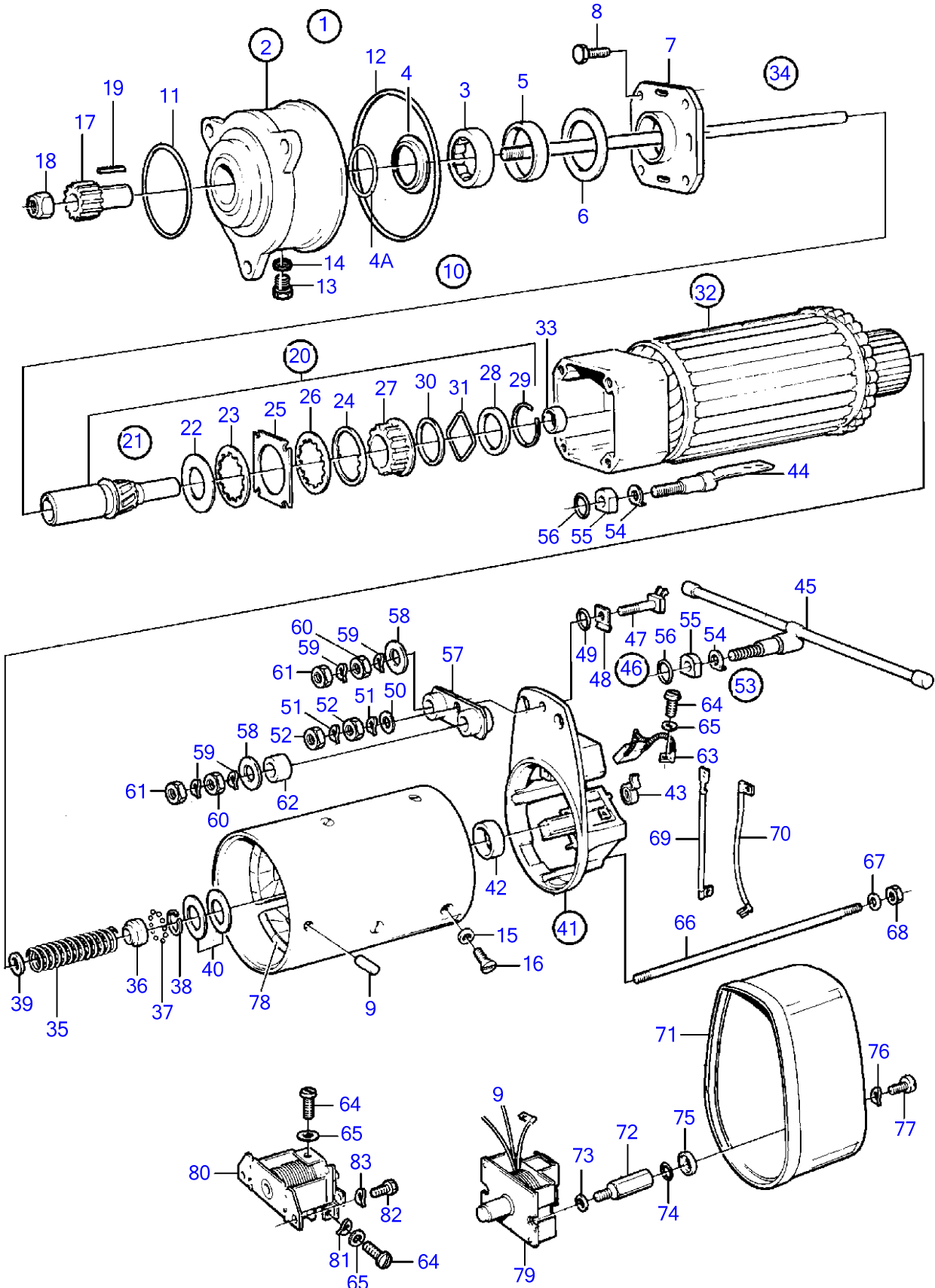


TAMD75P-A



17091

TAMD75P-A

REF	PART NO.	QTY	DESCRIPTION	NOTES
1	847306	1	Starter motor	Replaced by 881681
	881681	1	Starter motor	
	3803599	1	Starter motor, exch, exch	
2	(240449)	1	• Bearing shield	Obsolete part
3	240453	1	• • Needle bearing	
4	240450	1	• • Sealing ring	
4A	240451	1	• • Spring	
5	(240455)	1	• • Bearing bushing	Obsolete part
6	240457	1	• Spacer washer	
7	(240456)	1	• Bearing shield	Obsolete part
8	(848095)	4	• Screw	Obsolete part
9		1	• Pin	
10	273517	1	• Small parts kit	
11		1	• • Sealing ring	
12		1	• • Sealing ring	
13		1	• • Screw	
14		1	• • Seal	
15		4	• • Seal	
16	(847984)	8	• Screw	Obsolete part
17	11994396	1	• Starter pinion	(6643675)
18	1696396	1	• Nut	
19	240473	1	• Key	
20	244539	1	• Disc clutch	
21	6644414	1	• • Small parts kit	
22		1	• • • Disc spring	
23		1	• • • Disc	
24		X	• • • Shim	
25		5	• • • Disc	
26		5	• • • Disc	
27		1	• • • Gear	
28		1	• • • Steel ring	
29		1	• • • Snap ring	
30		1	• • • Washer	
31		1	• • • Spring washer	
32	(847985)	1	• Anchor	Obsolete part
33	243091	1	• • Needle bearing	
34	6643680	1	• Rotor shaft	
35	6212617	1	• • Compression spring	
36	6212622	1	• • Stop ring	
37	184453	11	• • Ball	
38	240471	1	• • Lock ring	
39	(844410)	1	• • Washer	Obsolete part
40	241904	X	• Shim	TH=0,20mm
	(240486)	X	• Shim	TH=0,30mm, Obsolete part
	(240487)	X	• Shim	TH=0,50mm, Obsolete part
41	(844408)	1	• Commutator bearing	Obsolete part
42	240481	1	• • Bearing bushing	
43	240478	4	• • Brush spring	
44	(240479)	1	• • Terminal screw	Obsolete part
45	(240480)	1	• • Electric cable	Obsolete part
46	6643672	1	• • Small parts kit	
47		1	• • • Screw	
48		1	• • • Washer	
49		1	• • • O-ring	
50		1	• • • Washer	
51		2	• • • Snap ring	
52		2	• • • Nut	
53	3094494	2	• • Small parts kit	(6212792)
54		2	• • • Plate	
55		2	• • • Plate	
56		2	• • • O-ring	
57		1	• • • Isolation plate	
58		2	• • • Washer	

TAMD75P-A

REF	PART NO.	QTY	DESCRIPTION	NOTES
59		4	• • • Snap ring	
60		2	• • • Nut	
61		2	• • • Nut	
62		1	• • • Bushing	
63	6643685	1	• Brush set	
64	6643679	4	• Screw	
	(244218)	4	• Screw	Obsolete part
65	941905	8	• Spring washer	
66	6643677	1	• Bolt	
67	955892	4	• Washer	
68	955781	4	• Hexagon nut	
69	847987	1	• Cable	
70	847988	1	• Cable	
71	240496	1	• Protecting casing	
72	(243713)	2	• Bolt	Obsolete part
73	(6212619)	2	• Washer	Obsolete part
74	(72202)	2	• Gasket	Obsolete part
75	(72201)	2	• Washer	Obsolete part
76	941906	2	• Spring washer	
77	986214	2	• 6 point socket screw	(956094)
78	(847983)	1	• Field winding	Obsolete part
79	847986	1	• Relay	
80	844409	1	• Relay	
81	940090	3	• Washer	
82	955294	2	• Hexagon screw	
83	941907	2	• Spring washer	