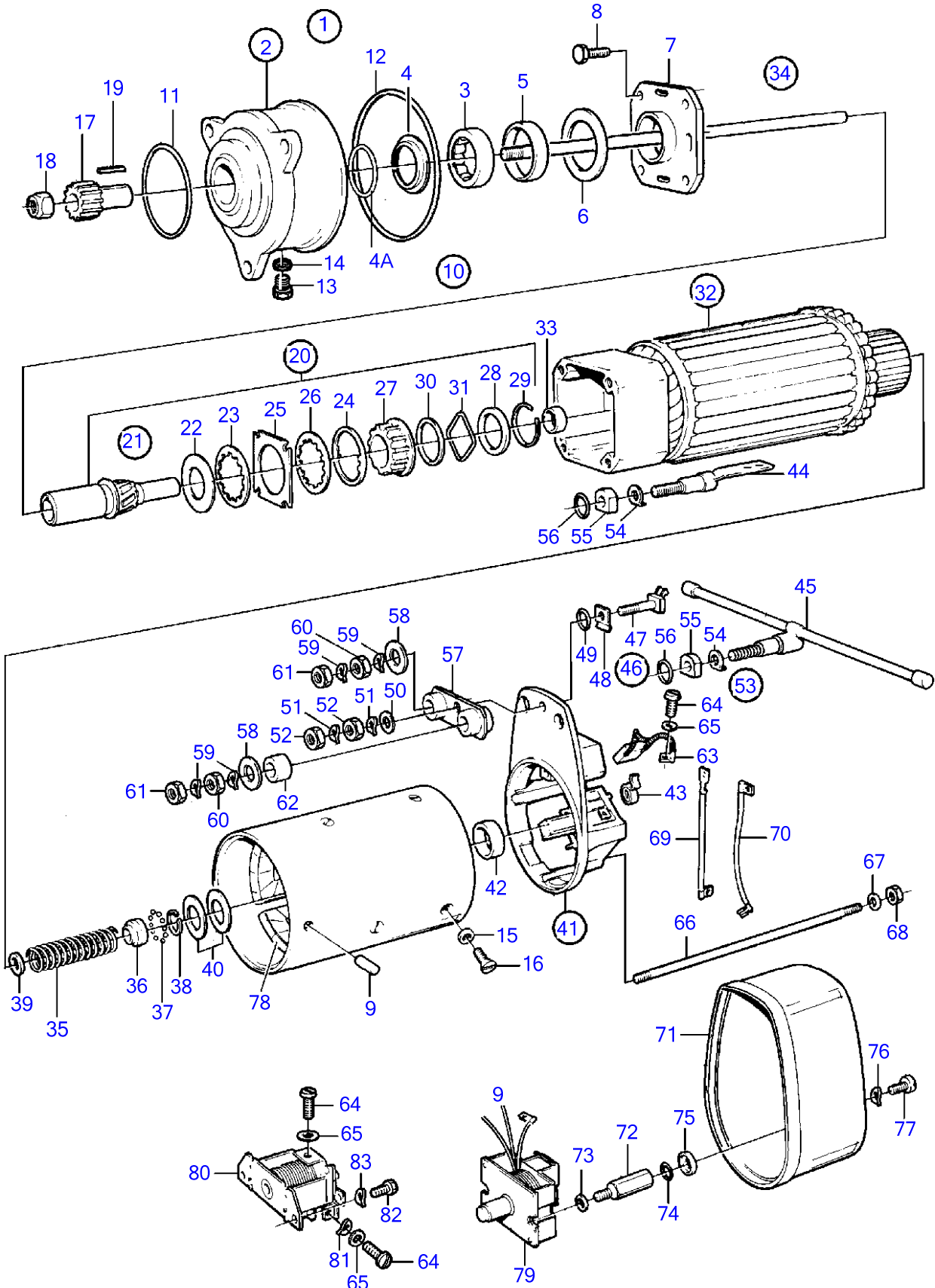


TAMD75P-A



17091

TAMD75P-A

| REF | PART NO. | QTY | DESCRIPTION | NOTES |
|-----|----------|-----|---------------------------|--------------------------|
| 1 | 847306 | 1 | Starter motor | Replaced by 881681 |
| | 881681 | 1 | Starter motor | |
| | 3803599 | 1 | Starter motor, exch, exch | |
| 2 | (240449) | 1 | • Bearing shield | Obsolete part |
| 3 | 240453 | 1 | • • Needle bearing | |
| 4 | 240450 | 1 | • • Sealing ring | |
| 4A | 240451 | 1 | • • Spring | |
| 5 | (240455) | 1 | • • Bearing bushing | Obsolete part |
| 6 | 240457 | 1 | • Spacer washer | |
| 7 | (240456) | 1 | • Bearing shield | Obsolete part |
| 8 | (848095) | 4 | • Screw | Obsolete part |
| 9 | | 1 | • Pin | |
| 10 | 273517 | 1 | • Small parts kit | |
| 11 | | 1 | • • Sealing ring | |
| 12 | | 1 | • • Sealing ring | |
| 13 | | 1 | • • Screw | |
| 14 | | 1 | • • Seal | |
| 15 | | 4 | • • Seal | |
| 16 | (847984) | 8 | • Screw | Obsolete part |
| 17 | 11994396 | 1 | • Starter pinion | (6643675) |
| 18 | 1696396 | 1 | • Nut | |
| 19 | 240473 | 1 | • Key | |
| 20 | 244539 | 1 | • Disc clutch | |
| 21 | 6644414 | 1 | • • Small parts kit | |
| 22 | | 1 | • • • Disc spring | |
| 23 | | 1 | • • • Disc | |
| 24 | | X | • • • Shim | |
| 25 | | 5 | • • • Disc | |
| 26 | | 5 | • • • Disc | |
| 27 | | 1 | • • • Gear | |
| 28 | | 1 | • • • Steel ring | |
| 29 | | 1 | • • • Snap ring | |
| 30 | | 1 | • • • Washer | |
| 31 | | 1 | • • • Spring washer | |
| 32 | (847985) | 1 | • Anchor | Obsolete part |
| 33 | 243091 | 1 | • • Needle bearing | |
| 34 | 6643680 | 1 | • Rotor shaft | |
| 35 | 6212617 | 1 | • • Compression spring | |
| 36 | 6212622 | 1 | • • Stop ring | |
| 37 | 184453 | 11 | • • Ball | |
| 38 | 240471 | 1 | • • Lock ring | |
| 39 | (844410) | 1 | • • Washer | Obsolete part |
| 40 | 241904 | X | • Shim | TH=0,20mm |
| | (240486) | X | • Shim | TH=0,30mm, Obsolete part |
| | (240487) | X | • Shim | TH=0,50mm, Obsolete part |
| 41 | (844408) | 1 | • Commutator bearing | Obsolete part |
| 42 | 240481 | 1 | • • Bearing bushing | |
| 43 | 240478 | 4 | • • Brush spring | |
| 44 | (240479) | 1 | • • Terminal screw | Obsolete part |
| 45 | (240480) | 1 | • • Electric cable | Obsolete part |
| 46 | 6643672 | 1 | • • Small parts kit | |
| 47 | | 1 | • • • Screw | |
| 48 | | 1 | • • • Washer | |
| 49 | | 1 | • • • O-ring | |
| 50 | | 1 | • • • Washer | |
| 51 | | 2 | • • • Snap ring | |
| 52 | | 2 | • • • Nut | |
| 53 | 3094494 | 2 | • • Small parts kit | (6212792) |
| 54 | | 2 | • • • Plate | |
| 55 | | 2 | • • • Plate | |
| 56 | | 2 | • • • O-ring | |
| 57 | | 1 | • • • Isolation plate | |
| 58 | | 2 | • • • Washer | |

TAMD75P-A

| REF | PART NO. | QTY | DESCRIPTION | NOTES |
|-----|-----------|-----|------------------------|---------------|
| 59 | | 4 | • • • Snap ring | |
| 60 | | 2 | • • • Nut | |
| 61 | | 2 | • • • Nut | |
| 62 | | 1 | • • • Bushing | |
| 63 | 6643685 | 1 | • Brush set | |
| 64 | 6643679 | 4 | • Screw | |
| | (244218) | 4 | • Screw | Obsolete part |
| 65 | 941905 | 8 | • Spring washer | |
| 66 | 6643677 | 1 | • Bolt | |
| 67 | 955892 | 4 | • Washer | |
| 68 | 955781 | 4 | • Hexagon nut | |
| 69 | 847987 | 1 | • Cable | |
| 70 | 847988 | 1 | • Cable | |
| 71 | 240496 | 1 | • Protecting casing | |
| 72 | (243713) | 2 | • Bolt | Obsolete part |
| 73 | (6212619) | 2 | • Washer | Obsolete part |
| 74 | (72202) | 2 | • Gasket | Obsolete part |
| 75 | (72201) | 2 | • Washer | Obsolete part |
| 76 | 941906 | 2 | • Spring washer | |
| 77 | 986214 | 2 | • 6 point socket screw | (956094) |
| 78 | (847983) | 1 | • Field winding | Obsolete part |
| 79 | 847986 | 1 | • Relay | |
| 80 | 844409 | 1 | • Relay | |
| 81 | 940090 | 3 | • Washer | |
| 82 | 955294 | 2 | • Hexagon screw | |
| 83 | 941907 | 2 | • Spring washer | |