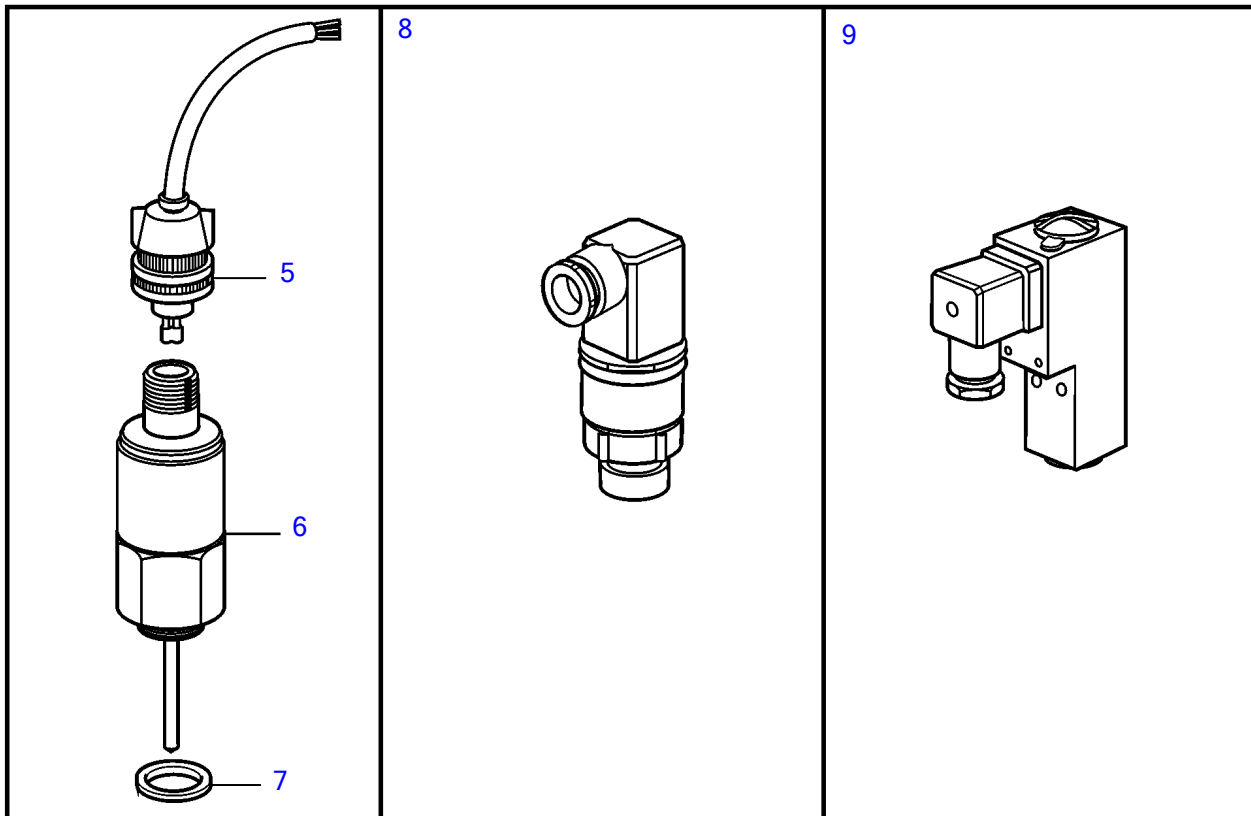
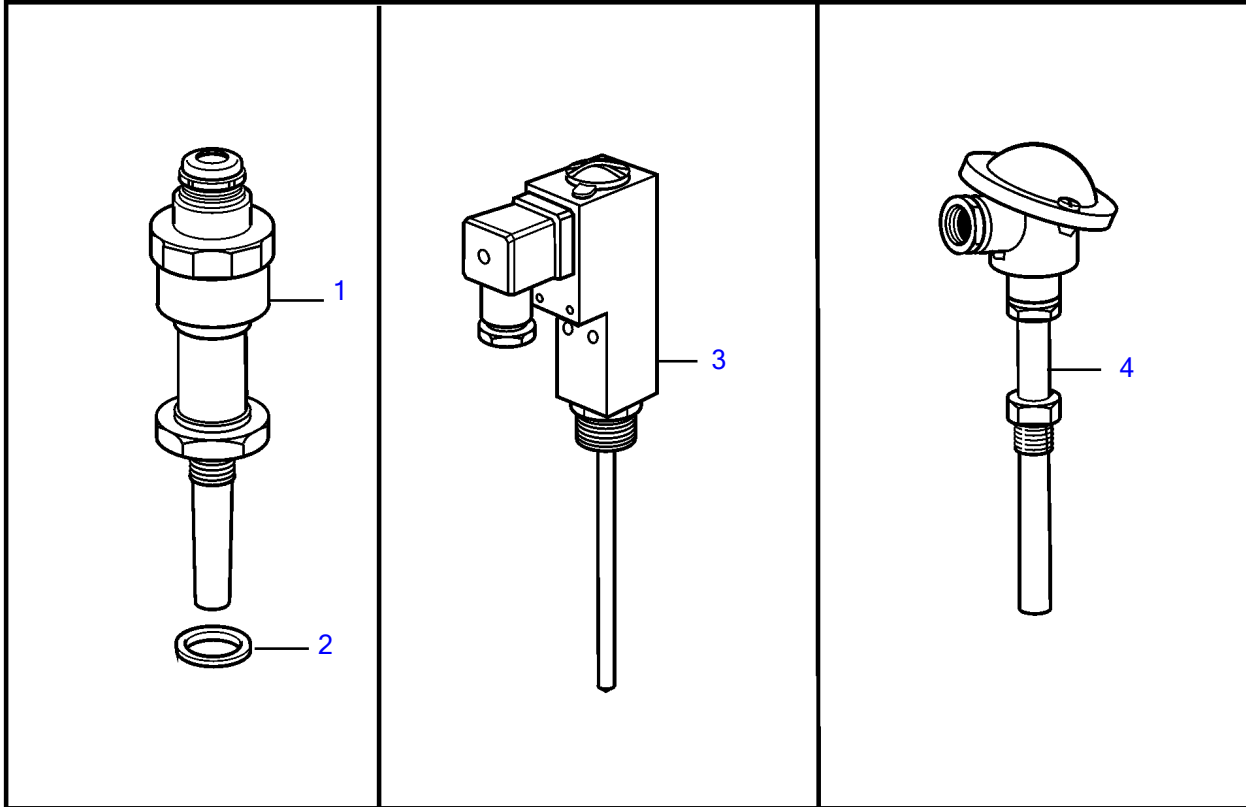


TAMD74A-A, TAMD74A-B



TAMD74A-A, TAMD74A-B

REF	PART NO.	QTY	DESCRIPTION	NOTES
1	874179	1	Temperature sensor, exhaust	CU-2500
2	947626	1	Gasket	
3	3831439	1	Temperature sensor	CU-2500
4	3829871	1	Temperature sensor, temperature sensor	CU-2500
5	874160	1	Wiring harness, level guard	
6	874159	1	Level guard, expansion tank	CU-2500, TAMD74A AUX/RC
7	947624	1	Gasket	
8	3887952	1	Pressure sensor	CU-2500, 0-40bar, (3831480)
9	3831438	1	Pressure sensor	0-40bar