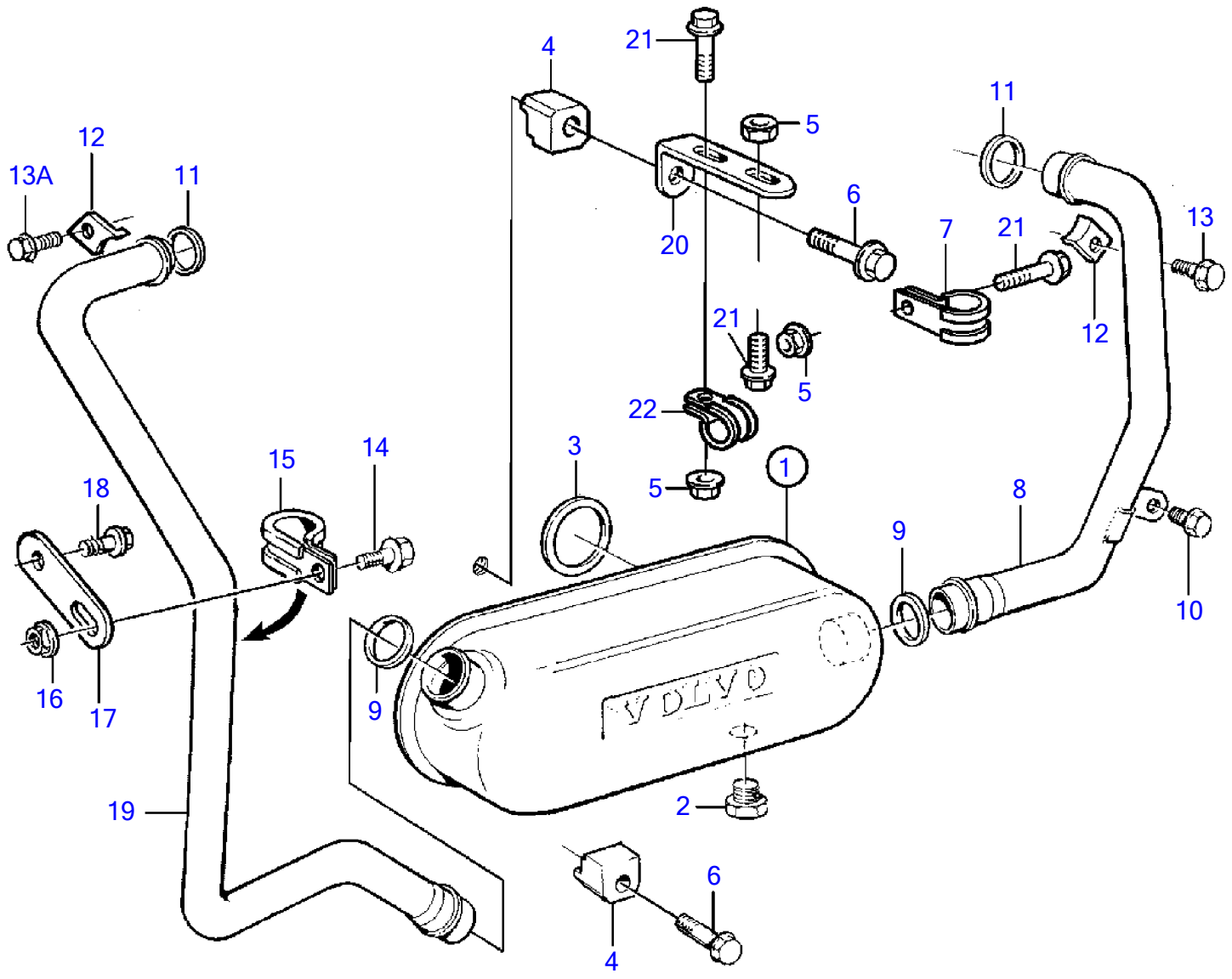


TAMD74A-A, TAMD74A-B, TAMD74C-A, TAMD74C-B, TAMD74L-A, TAMD74L-B, TAMD74P-A, TAMD74P-B, TAMD75P-A



17944

TAMD74A-A, TAMD74A-B, TAMD74C-A, TAMD74C-B, TAMD74L-A, TAMD74L-B, TAMD74P-A, TAMD74P-B, TAMD75P-A

| REF | PART NO. | QTY | DESCRIPTION | NOTES |
|-----|----------|-----|--------------|--------------------------------|
| 1 | 866539 | 1 | Oil cooler | |
| 2 | 981749 | 1 | • Plug | |
| 3 | 471467 | 2 | Sealing ring | |
| 4 | 471804 | 4 | Retainer | |
| 5 | 945407 | 3 | Flange nut | M6 |
| 6 | 965186 | 4 | Flange screw | M10x50mm |
| 7 | 952627 | 1 | Clamp | |
| 8 | 864588 | 1 | Water pipe | Cylinder block-oil cooler. |
| 9 | 1543579 | 2 | Sealing ring | |
| 10 | 946441 | 1 | Flange screw | M8x20mm |
| 11 | 471637 | 2 | Sealing ring | |
| 12 | 421654 | 2 | Clamp | |
| 13 | 946440 | 1 | Flange screw | L=16mm |
| 13A | 949846 | 1 | Flange screw | Tapping screw. |
| 14 | 946544 | 1 | Flange screw | M6x16mm |
| 15 | 952635 | 1 | Clamp | |
| 16 | 945407 | 1 | Flange nut | M6 |
| 17 | 965556 | 1 | Bracket | |
| 18 | 946440 | 1 | Flange screw | M8x16mm |
| 19 | 864589 | 1 | Water pipe | Thermostat housing-oil cooler. |
| 20 | 965562 | 1 | Bracket | |
| 21 | 946544 | 3 | Flange screw | M6x16mm |
| 22 | 952635 | 1 | Clamp | |

7740900-26-4468

17944

Upd:2011-09-22

TAMD74A, TAMD74A-A, TAMD74A-B, TAMD74C-A, TAMD74C-B, TAMD74L-A, TAMD74L-B, TAMD74P-A,
TAMD74P-B, TAMD75P-A**VOLVO
PENTA**