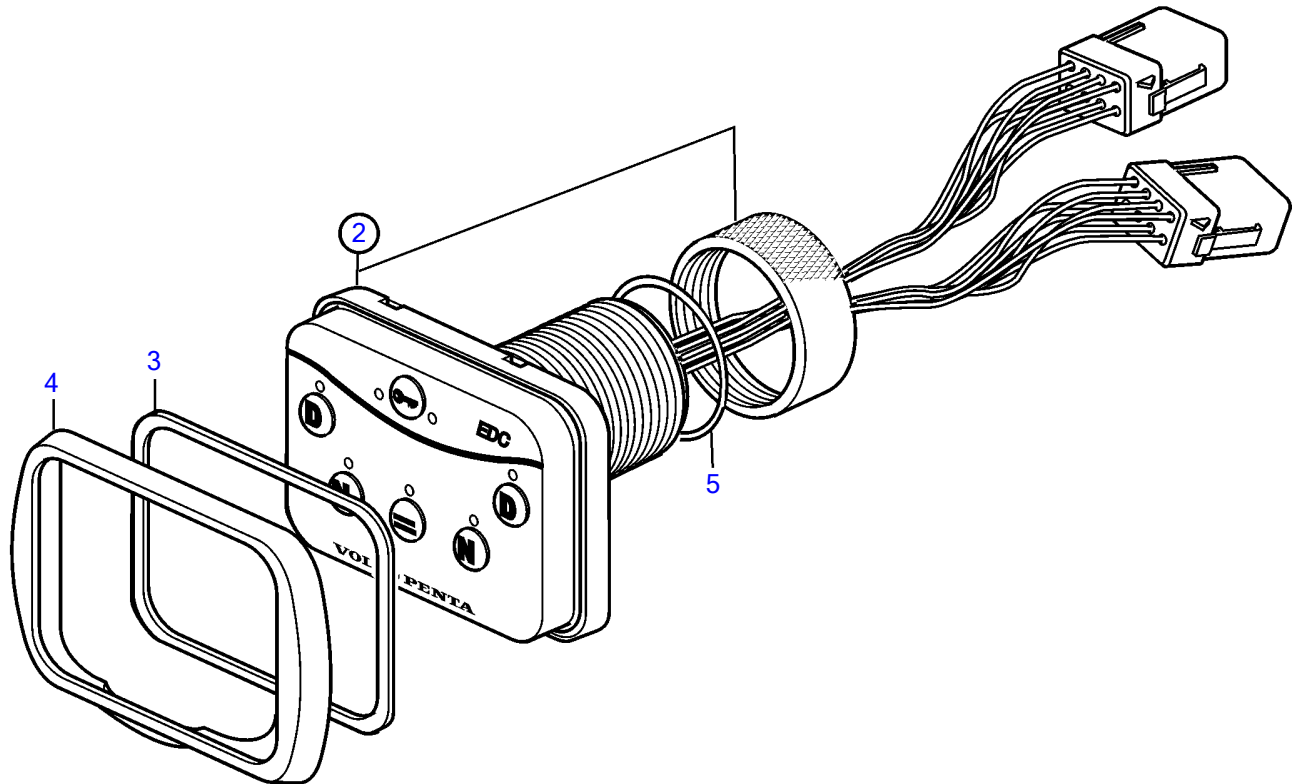
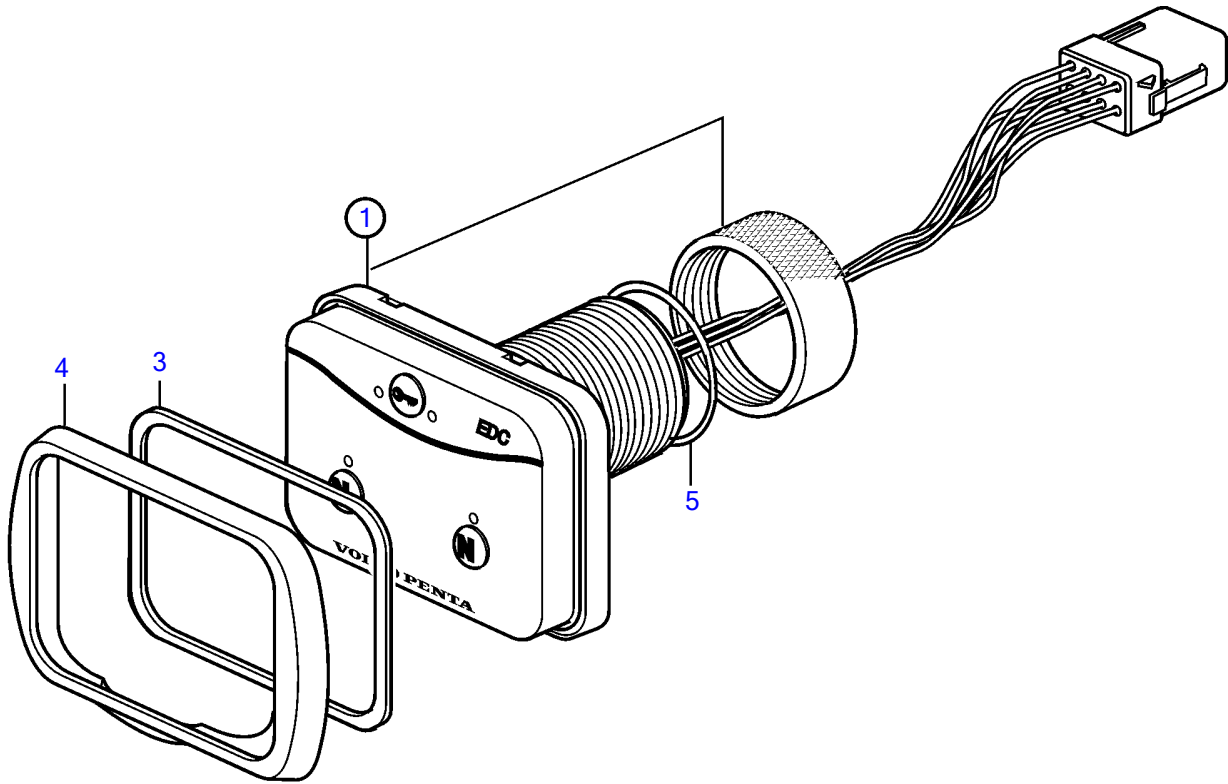


TAMD74A, TAMD74A-A, TAMD74A-B, TAMD74C-A, TAMD74C-B, TAMD74L-A, TAMD74L-B, TAMD74P-A, TAMD74P-B, TAMD75P-A



TAMD74A, TAMD74A-A, TAMD74A-B, TAMD74C-A, TAMD74C-B, TAMD74L-A, TAMD74L-B, TAMD74P-A, TAMD74P-B, TAMD75P-A

REF	PART NO.	QTY	DESCRIPTION	NOTES
2	874122	1	Control panel	Twin engine installation. For single or multi stations., For 2x8-pole system.
3	874192	1	• Gasket	Alt
4	874149	1	• Frame	Alt
5	874191	1	• O-ring	