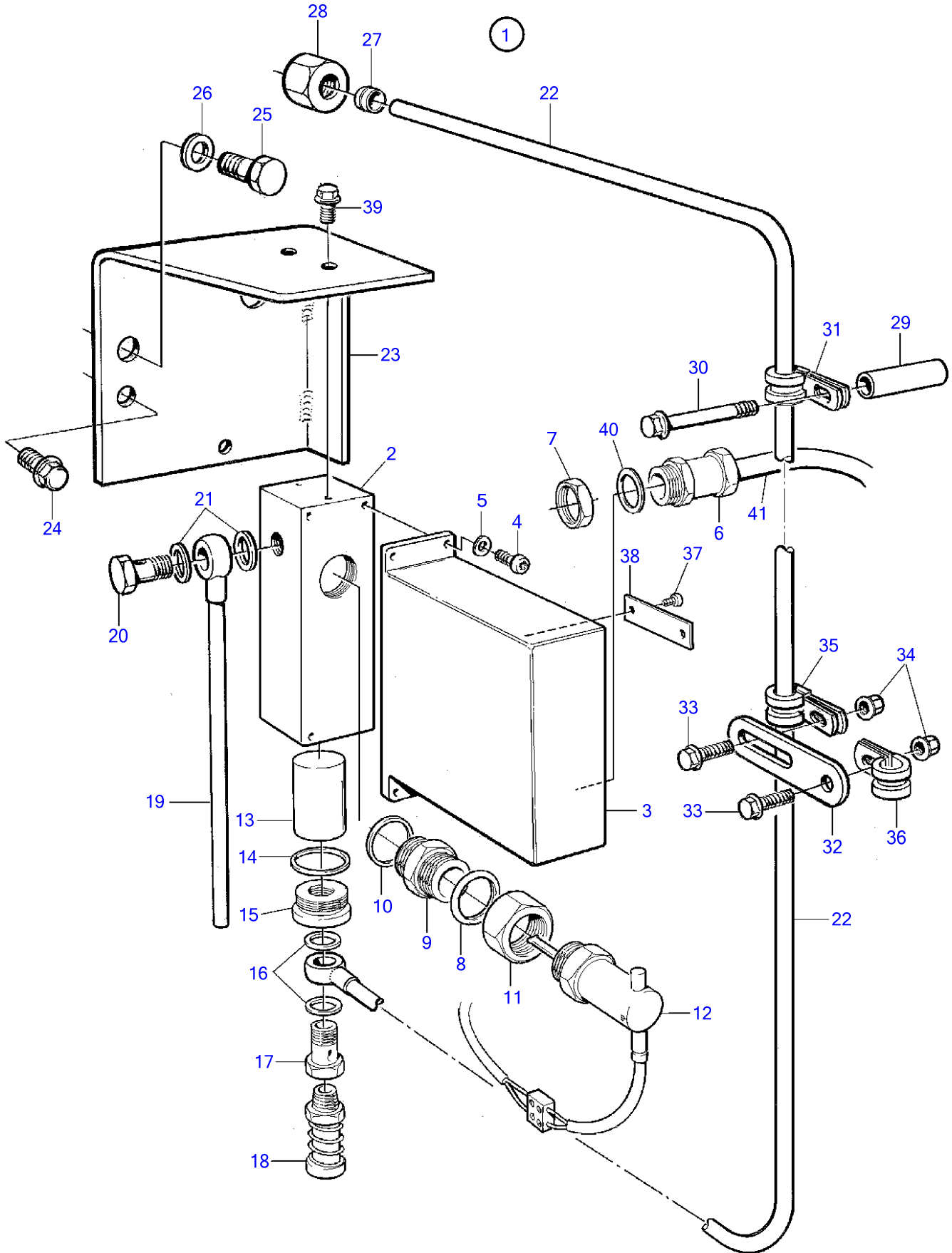


TAMD74A



17165

TAMD74A

REF	PART NO.	QTY	DESCRIPTION	SEE SEC.	NOTES
1	(849812)	1	Flow monitor		Obsolete part
2	849345	1	• Housing		
3		1	• Protection		
4	956060	4	• Cross recessed screw		
5	941904	4	• Spring washer		
6	881191	1	• Grommet		
7	880244	1	• Nut		
8	15304	1	• Gasket		
9	843688	1	• Nipple		
10	957181	1	• Gasket		
11	843640	1	• Lock nut		
12	843757	1	• Flow monitor		
13	843815	1	• Float		
14	957191	1	• Gasket		
15	843639	1	• Plug		
16	957178	2	• Gasket		
17	823417	1	• Hollow screw		
18	(844770)	1	• Valve		Obsolete part
19	3826835	1	Fuel pipe		
20	25167	1	Hollow screw		
21	969011	2	Gasket		
22	3835890	1	Pipe		
23	3826004	1	Bracket		
24	947107	1	Flange screw		M8x12mm
25	946670	1	Flange screw		M10x14mm
26	976945	1	Washer		
27	956969	1	Ferrule		
28	956983	1	Fitting nut		
29	847238	1	Spacer sleeve		Obsolete part
30	965217	1	Flange screw		M8x65mm
31	949746	1	Clamp		
32	965535	1	Bracket		
33	946544	2	Flange screw		M6x16mm
34	949278	2	Flange lock nut		M6
35	952625	1	Clamp		
36	952637	1	Clamp		
37	955113	2	Cross recessed screw		
38		1	Sign		
39	967949	2	Flange screw		M6x12 (965175)
40	11998	1	Gasket		
41	874854	X	Power cable		Non reinforced ship cable approved by classification societies., 2x1,5mm ²
		X	electrical materials	1963	