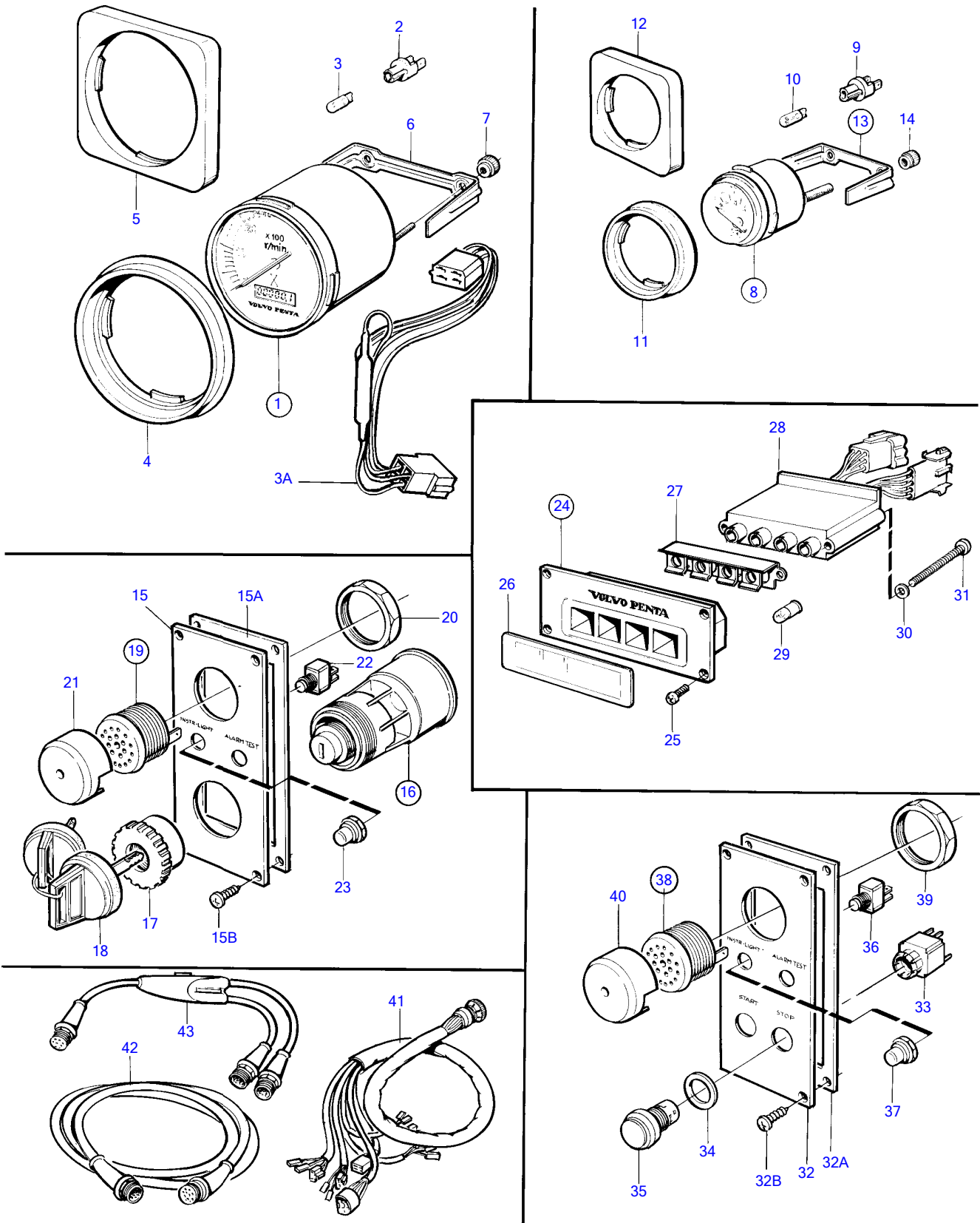


TAMD74A, TAMD74A-A, TAMD74A-B, TAMD74C-A, TAMD74C-B, TAMD74L-A, TAMD74L-B, TAMD74P-A, TAMD74P-B, TAMD75P-A



16152

TAMD74A, TAMD74A-A, TAMD74A-B, TAMD74C-A, TAMD74C-B, TAMD74L-A, TAMD74L-B, TAMD74P-A, TAMD74P-B, TAMD75P-A

REF	PART NO.	QTY	DESCRIPTION	SEE SEC.	NOTES
1	873587	1	Tachometer kit		Replaced by 1 ea tachometer kit 876750., Replaced by 876750
	876750	1	Tachometer kit		Repl by 873998. 3400 rpm
	873998	1	Tachometer kit		3400 rpm
2	863945	1	• Lamp socket		
3	863947	1	• Bulb		24V, 1,2W red
3A	873695	1	Diode cable		
4	873517	1	Ring		Alt., D=72mm
5		1	Instrument frame		Alt, D=75mm
6	873208	1	Brace kit		
7		2	• Nut		
8	873206	1	Turbo pressure gauge		
	873196	1	Thermometer		40-120°C
	873198	1	Oil pressure gauge		10x100kPa
	873202	1	Oil pressure gauge, reverse gear		30x100kPa
	873200	1	Voltmeter		
9	863945	1	• Lamp socket		
10	863947	1	• Bulb		
11	858643	1	Front ring		Alt, D=52mm
12	856822	1	Instrument frame		Alt, D=52mm
13	873207	1	Brace kit		
14		2	• Nut		
15	873271	1	Panel		
15A	873273	1	Gasket		
15B	828647	4	Screw		
16	3587072	1	Starter switch		(864277)
17	859955	1	• Plastic nut		
18	859953	2	• Key		State key code when ordering.
			Bulletin 49-30	49-30-EN	Key P/N 859953
19	828587	1	Buzzer		
20		1	• Nut		
21	858795	1	Protecting casing		
22	828584	1	Toggle switch		Alarm test
	828585	1	Toggle switch		Instr. light
23	828586	2	Nut		
24	858876	1	Symbol panel		
25	828647	4	• Screw		
26	858645	1	• Symbol strip		
27	828784	1	Reflector		
28	873737	1	Electronic unit		(873209)
29	828818	4	Bulb		
30	941904	2	Spring washer		
31	(941615)	2	Cross recessed screw		Obsolete part
32	873272	1	Panel		
32A	873273	1	Gasket		
32B	828647	4	Screw		
33	876950	1	Push button kit		Start, green
	876950	1	Push button kit		Stop, red
34		2	• Gasket		
35		2	• Push button		
36	828584	1	Toggle switch		Alarm test
	828585	1	Toggle switch		Instr. light
37	828586	2	Nut		
38	828587	1	Buzzer		
39		1	• Nut		
40	858795	1	Protecting casing		
41	873579	1	Wiring harness		Main station
	873580	1	Wiring harness		Fly Bridge
42	846648	X	Extension cable'verl		L=3.0m
	846649	X	Extension cable'verl		L=5.0m
	846650	X	Extension cable'verl		L=7.0m
	873838	X	Extension cable'verl		L=9.0m

7740900-30-775B

16152

Upd:2011-09-22

TAMD74A, TAMD74A-A, TAMD74A-B, TAMD74C-A, TAMD74C-B, TAMD74L-A, TAMD74L-B, TAMD74P-A, TAMD74P-B, TAMD75P-A



TAMD74A, TAMD74A-A, TAMD74A-B, TAMD74C-A, TAMD74C-B, TAMD74L-A, TAMD74L-B, TAMD74P-A, TAMD74P-B, TAMD75P-A

REF	PART NO.	QTY	DESCRIPTION	SEE SEC.	NOTES
	873839	X	Extension cable'verl		L=11.0m
43	1140598	X	Distributing contact		