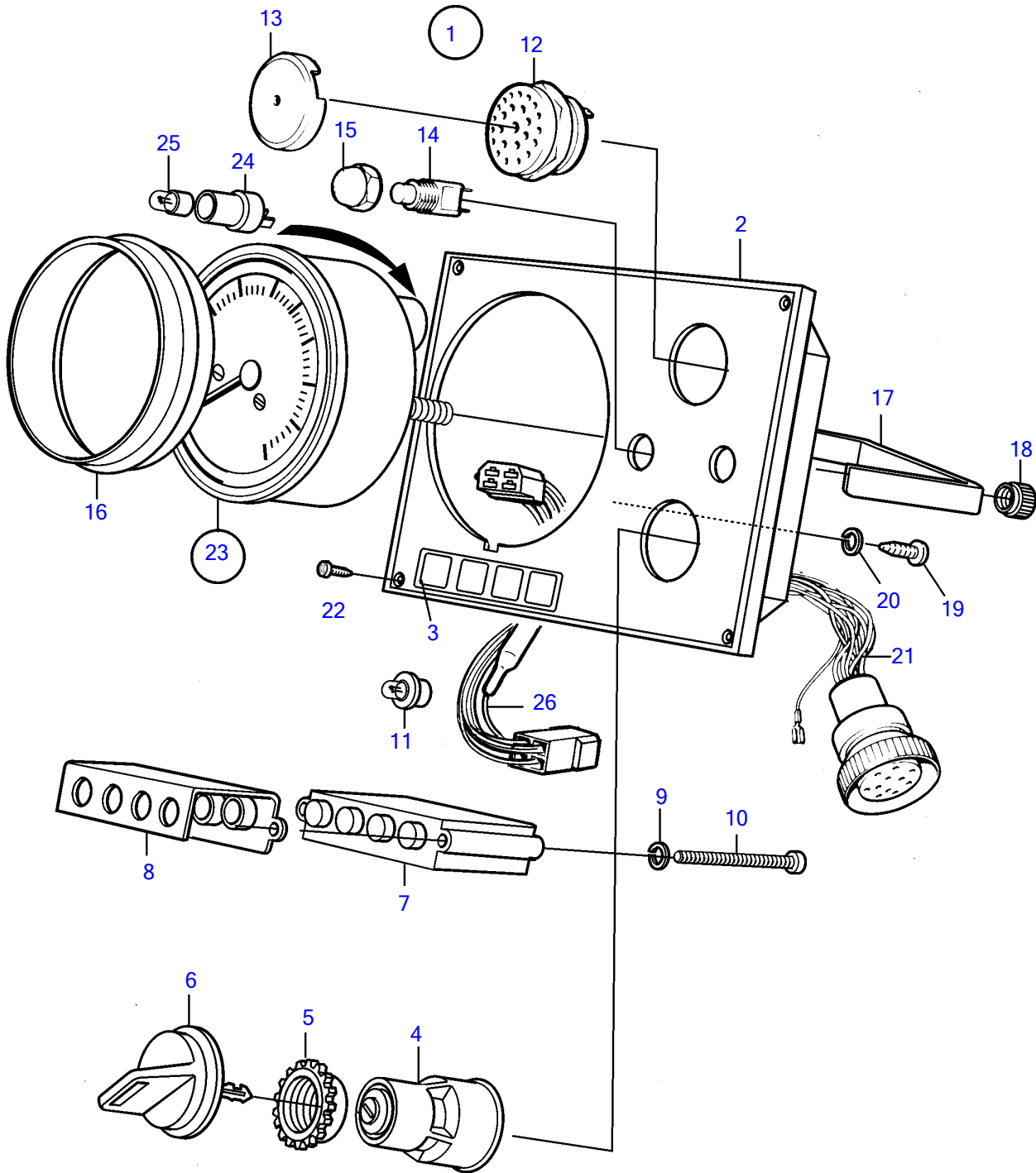


TAMD74A, TAMD74A-A, TAMD74A-B, TAMD74C-A, TAMD74C-B, TAMD74L-A, TAMD74L-B, TAMD74P-A, TAMD74P-B, TAMD75P-A



TAMD74A, TAMD74A-A, TAMD74A-B, TAMD74C-A, TAMD74C-B, TAMD74L-A, TAMD74L-B, TAMD74P-A, TAMD74P-B, TAMD75P-A

| REF | PART NO. | QTY | DESCRIPTION            | SEE SEC. | NOTES                                 |
|-----|----------|-----|------------------------|----------|---------------------------------------|
| 1   | 873592   | 1   | Instrument panel       |          | Repl by 3587076                       |
|     | 3587076  | 1   | Instrument panel       |          |                                       |
| 2   | 860183   | 1   | • Instrument panel     |          |                                       |
| 3   | 858645   | 1   | • Symbol strip         |          |                                       |
| 4   | 864277   | 1   | • Starter switch       |          | Repl by 3587072                       |
|     | 3587072  |     | • Starter switch       |          |                                       |
| 5   | 859955   | 1   | • • Plastic nut        |          |                                       |
| 6   | 859953   | 2   | • • Key                |          | State key code when ordering.         |
|     |          |     | • Bulletin 49-30       | 49-30-EN | Key P/N 859953<br>(873209)            |
| 7   | 873737   | 1   | • Electronic unit      |          |                                       |
| 8   | 828784   | 1   | • Reflector            |          |                                       |
| 9   | 941904   | 2   | • Spring washer        |          |                                       |
| 10  | (941615) | 2   | • Cross recessed screw |          | Obsolete part                         |
| 11  | 828818   | 4   | • Bulb                 |          | 24V                                   |
| 12  | 828587   | 1   | • Buzzer               |          |                                       |
| 13  | 858795   | 1   | • Protecting casing    |          |                                       |
| 14  | 828584   | 1   | • Toggle switch        |          | Alarm test                            |
|     | 828585   | 1   | • Toggle switch        |          | Instr. light                          |
| 15  | 828586   | 2   | • Nut                  |          |                                       |
| 16  | 873517   | 1   | • Ring                 |          |                                       |
| 17  | 873208   | 1   | • Brace kit            |          |                                       |
| 18  |          | 2   | • • Nut                |          |                                       |
| 19  | 949947   | 1   | • Cross recessed screw |          |                                       |
| 20  | 941904   | 1   | • Spring washer        |          |                                       |
| 21  | 828648   | 1   | • Cable kit            |          |                                       |
| 22  | 828647   | 4   | • Screw                |          |                                       |
| 23  | 873998   | 1   | Tachometer kit         |          | 3400 rpm, 12/24V<br>(873586) (876750) |
| 24  | 863945   | 1   | • Lamp socket          |          |                                       |
| 25  | 863946   | 1   | • Bulb                 |          | 12V, 1,2W                             |
|     | 863947   | 1   | • Bulb                 |          | 24V, 1,2W                             |
| 26  | 873695   | 1   | • Diode cable          |          |                                       |