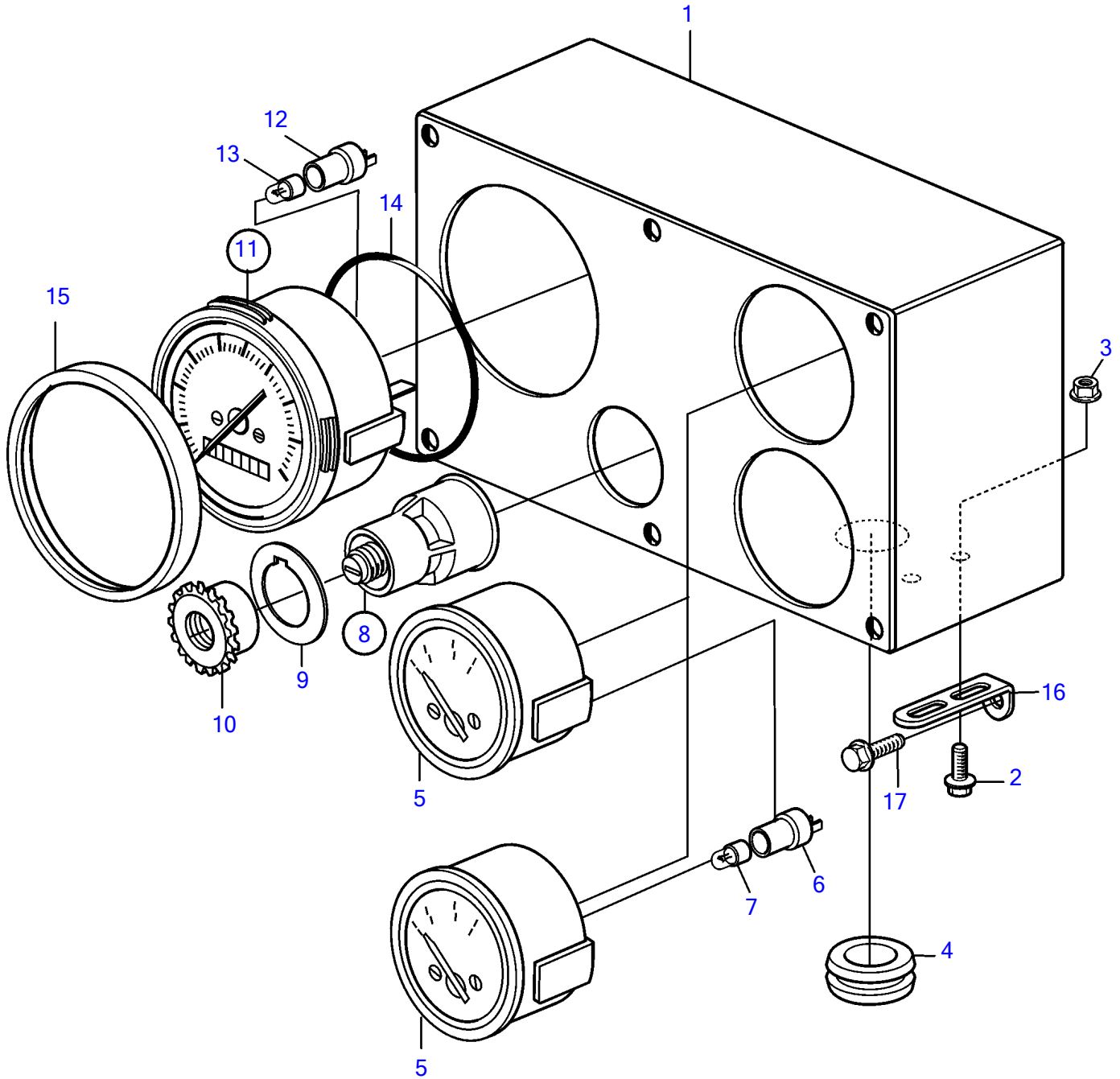


TAMD74A



## TAMD74A

REF	PART NO.	QTY	DESCRIPTION	NOTES
1	3827599	1	Instrument casing	
2	945414	4	Flange screw	
3	949278	4	Flange lock nut	
4	941269	1	Plug	
5	862082	1	Pressure gauge	
	862076	1	Thermometer	
6	808175	1	Lamp socket	
7	828818	1	Bulb	
8	864277	1	Starter switch	Repl by 3587072
	3587072	1	Starter switch	
9	860086	1	• Marking label	
10	859955	1	• Plastic nut	
11	874496	1	Tachometer kit	
12	808175	1	• Lamp socket	
13	828818	1	• Bulb	
14	873232	1	• O-ring	Repl by 883232
15	873683	1	Ring	
16	965558	2	Bracket	
17	946934	2	Flange screw	