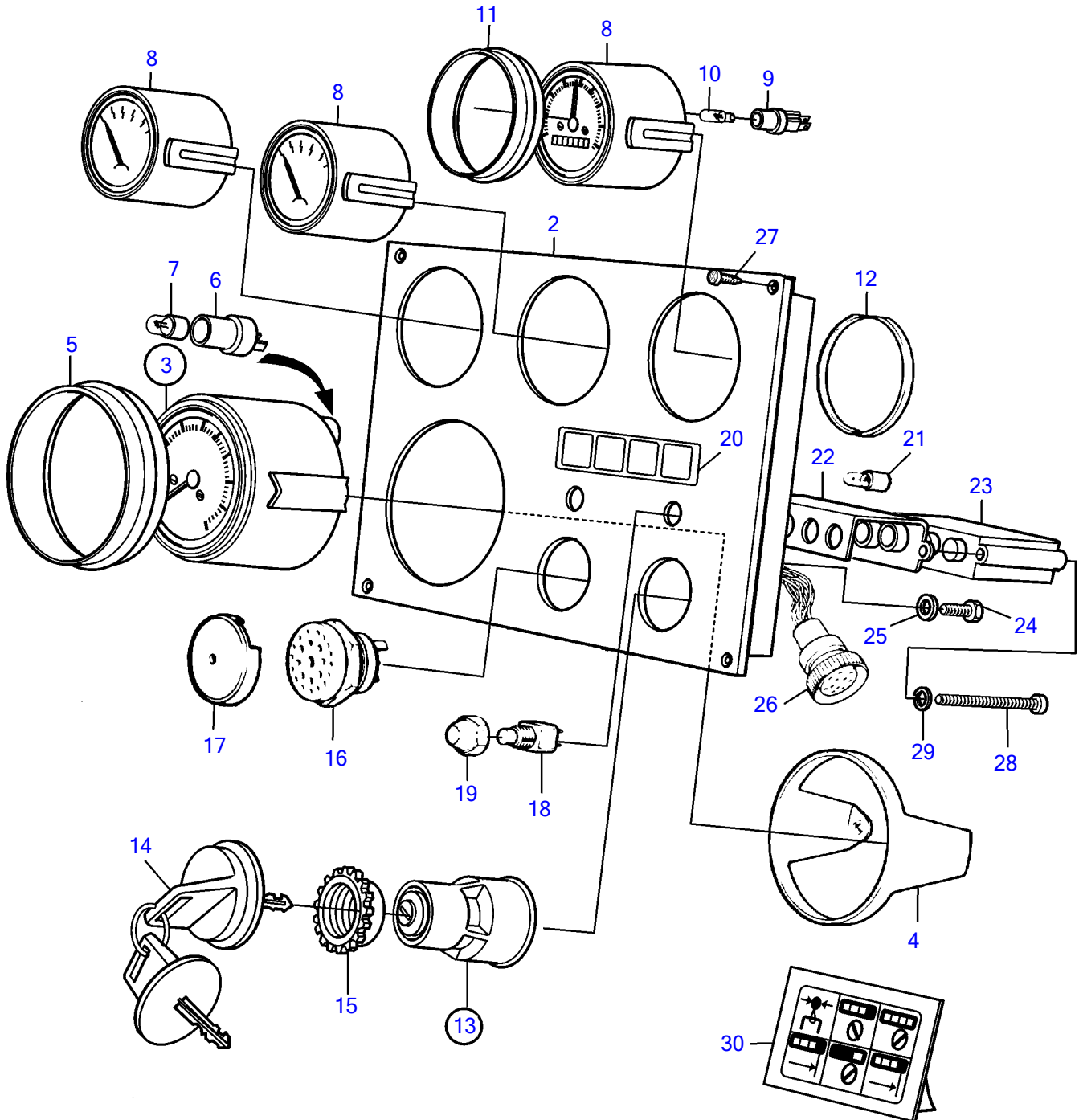


TAMD74A, TAMD74A-A, TAMD74A-B, TAMD74C-A, TAMD74C-B, TAMD74L-A, TAMD74L-B, TAMD74P-A, TAMD74P-B, TAMD75P-A

1



TAMD74A, TAMD74A-A, TAMD74A-B, TAMD74C-A, TAMD74C-B, TAMD74L-A, TAMD74L-B, TAMD74P-A, TAMD74P-B, TAMD75P-A

| REF | PART NO. | QTY | DESCRIPTION | SEE SEC. | NOTES |
|-----|-----------|-----|------------------------|----------|---|
| 1 | 864045 | 1 | Instrument panel | | Fits bulb with base BA 7S., Replaced by 873590 |
| | | | | 787 | |
| 2 | 860182 | 1 | • Instrument panel | | |
| 3 | 854909 | 1 | • Tachometer | | Repl by 873998 |
| | 873998 | 1 | Tachometer kit | | Order also front ring 873517 and mounting kit 873208. |
| 4 | 849523 | 1 | • Attaching ring | | |
| 5 | 858644 | 1 | • Front ring | | |
| 6 | 808175 | 1 | • Lamp socket | | |
| 7 | 19923 | 1 | • Bulb | | |
| 8 | 873195 | 1 | • Thermometer | | (863932) |
| | 873197 | 1 | • Oil pressure gauge | | For bulb with base W2X4,6d., (863934) |
| | 873199 | 1 | • Voltmeter | | (863930) |
| 9 | 863945 | 3 | • • Lamp socket | | State key code when ordering. |
| 10 | 863946 | 3 | • • Bulb | | Red, 12V, 2W W2x4,6d |
| 11 | 858643 | 3 | • Front ring | | |
| 12 | 828803 | 3 | • Guide ring | | |
| 13 | 864277 | 1 | • Starter switch | | Repl by 3587072 |
| | 3587072 | 1 | • Starter switch | | |
| 14 | 859953 | 2 | • • Key | | State key code when ordering. |
| | | | • Bulletin 49-30 | 49-30-EN | Key P/N 859953 |
| 15 | 859955 | 1 | • • Plastic nut | | |
| 16 | 828587 | 1 | • Buzzer | | |
| 17 | 858795 | 1 | • Protecting casing | | 12V |
| 18 | 828584 | 1 | • Toggle switch | | Alarm test |
| | 828585 | 1 | • Toggle switch | | Instr. light |
| 19 | 828586 | 2 | • Nut | | |
| 20 | 858645 | 1 | • Symbol strip | | |
| 21 | 19923 | 4 | • Bulb | | |
| 22 | 828784 | 1 | • Reflector | | |
| 23 | 873737 | 1 | • Electronic unit | | |
| 24 | (941615) | 2 | • Cross recessed screw | | Obsolete part |
| 25 | 941904 | 2 | • Spring washer | | |
| 26 | 828646 | 1 | • Cable trunk | | |
| 27 | 828647 | 4 | • Screw | | |
| 28 | 949947 | 1 | • Cross recessed screw | | |
| 29 | 941904 | 1 | • Spring washer | | |
| 30 | (7733005) | 1 | • Decal | | Starting instructions., Obsolete part |