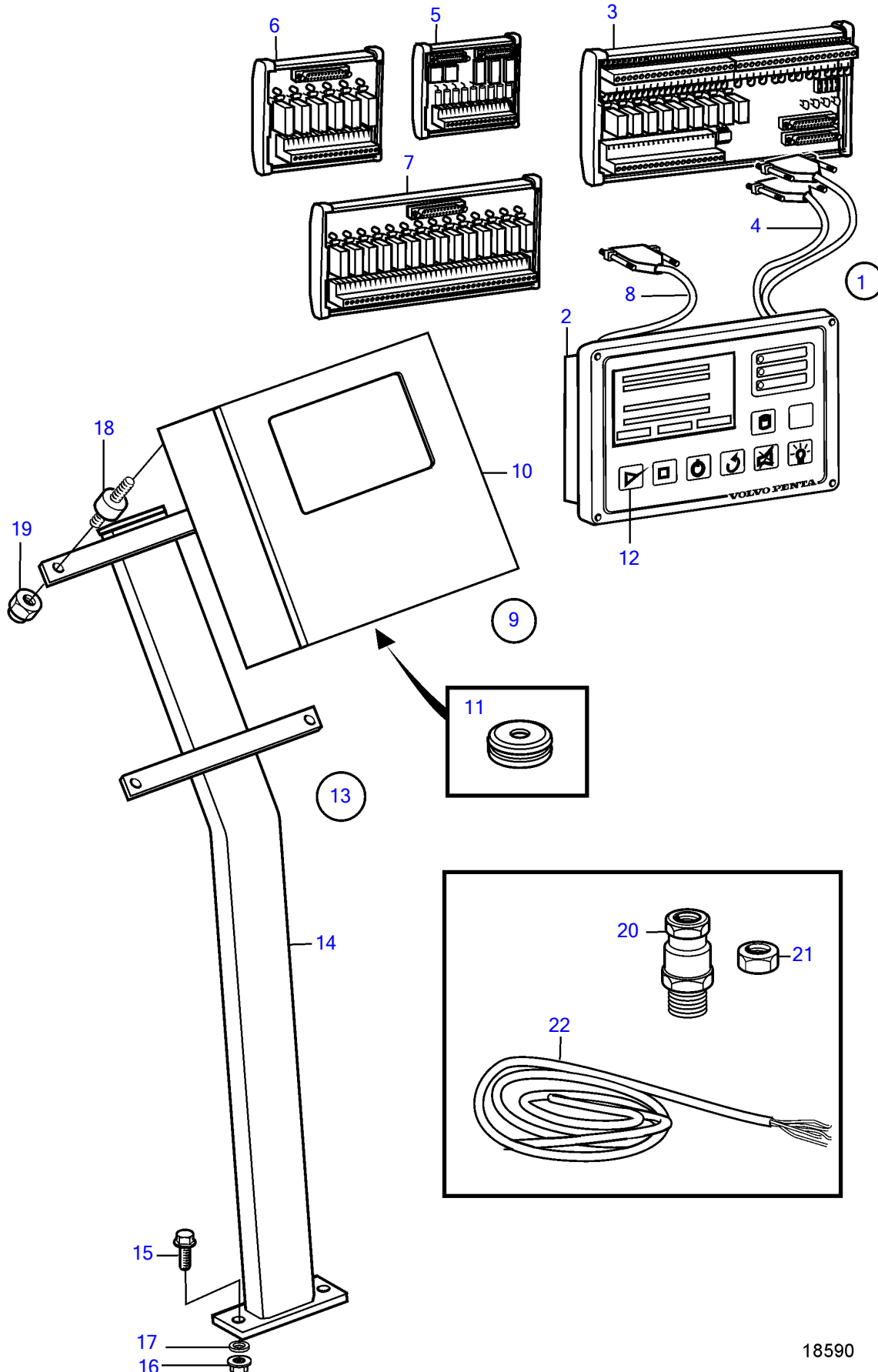


TAMD74A-A, TAMD74A-B



18590

TAMD74A-A, TAMD74A-B

REF	PART NO.	QTY	DESCRIPTION	NOTES
1		1	Control panel, control unit	CU 2500 P
2	(874463)	1	Control unit	Obsolete part
3	874162	1	• Terminal, RK-60	Repl by 874466
	(874466)	1	• Terminal, RK-66	Obsolete part
4	874163	2	• Wiring harness	25-pin D-SUB
6	874165	1	Relay	MK-6
8	874166	1	Wiring harness	15-pin D-SUB
10	(3830520)	1	Box	Obsolete part
11	941268	3	Plug	
12	662620	1	Rubber button	