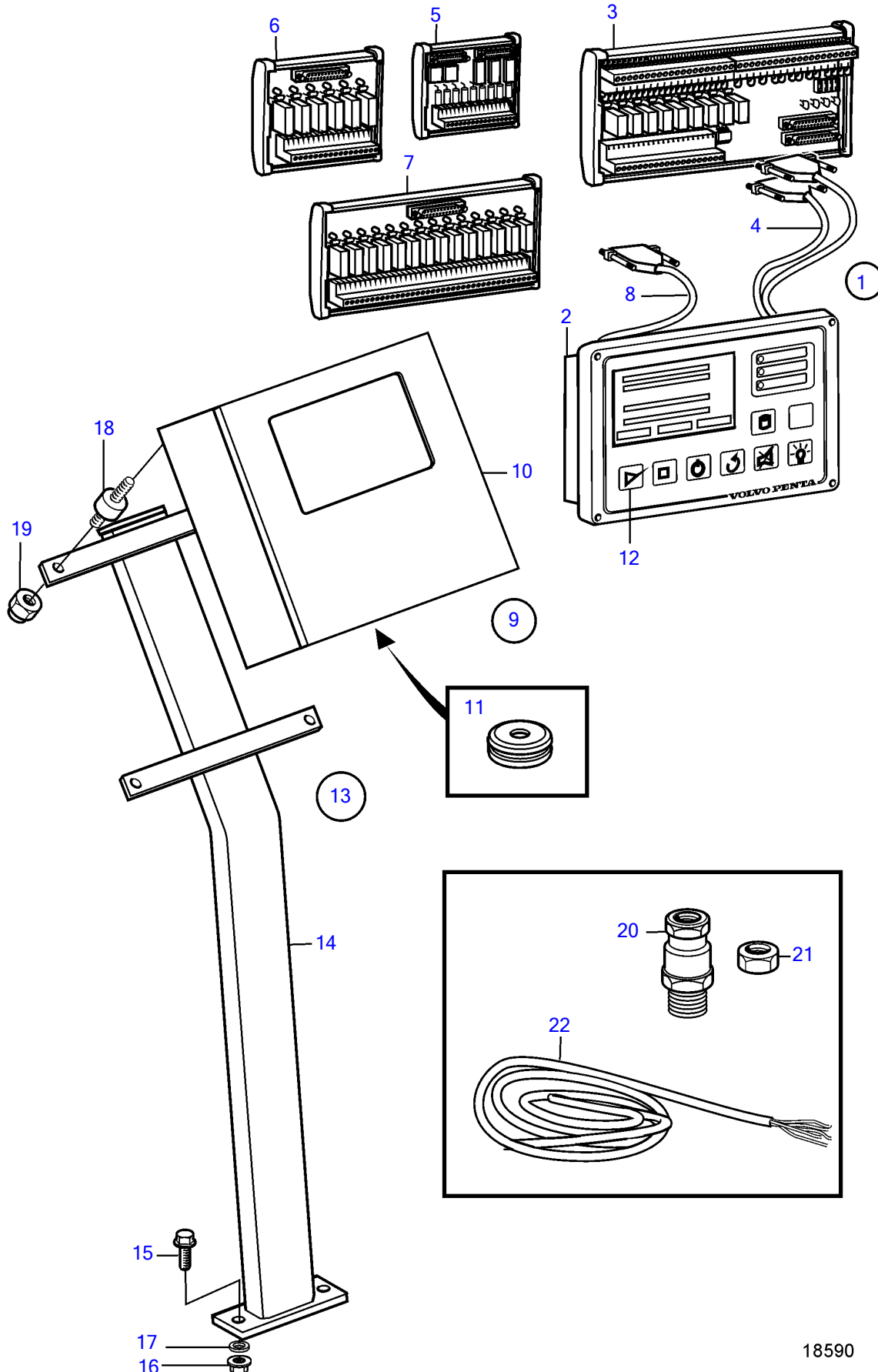


TAMD74A-A, TAMD74A-B



TAMD74A-A, TAMD74A-B

REF	PART NO.	QTY	DESCRIPTION	NOTES
1		1	Control panel, control unit	CU 2500 A
2	(874464)	1	Control unit	Obsolete part
3	874162	1	Terminal, RK-60	Repl by 874466
	(874466)	1	Terminal, RK-66	Obsolete part
4	874163	2	Wiring harness	25-pin D-SUB
5	874243	1	Relay	AK-6
6	874165	1	Relay	MK-6
7	874164	1	Relay	MK-14
8	874166	1	Wiring harness	15-pin D-SUB
9		1	Box	
10	(3830520)	1	• Box	Obsolete part
11	941268	3	• Plug	
12	662620	1	• Rubber button	
13		1	Support	
14	(3828433)	1	• Bracket	Obsolete part
15	965193	2	• Flange screw	
16	971099	2	• Flange lock nut	
17	(18675)	2	• U-member washer	Obsolete part
18	863415	4	• Rubber cushion	
19	948645	4	• Flange lock nut	
20	881193	2	• Grommet	
21	880755	2	• Nut	
22	874871	1	• Power cable	L=3000mm, (874131)