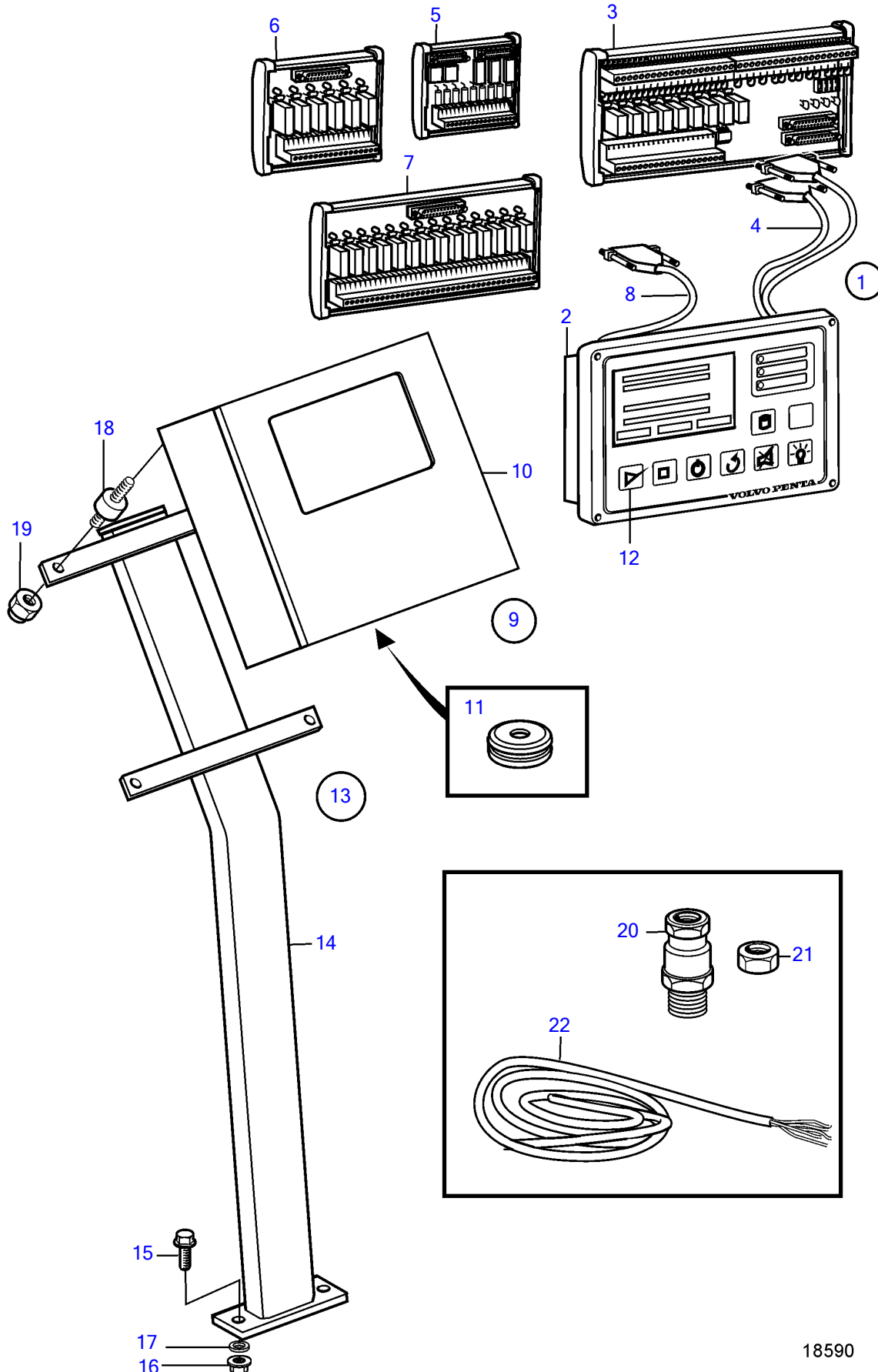


TAMD74A



18590

## TAMD74A

REF	PART NO.	QTY	DESCRIPTION	NOTES
1	3812590	1	Control unit	Aux, DCU 305 R2
	3812591	1	Control unit	DCU 305 R2, Prop kit
2	3887415	1	Electronic unit	
3	3887416	1	• Terminal, RK-66	
4	(3887417)	2	• Wiring harness	Obsolete part
9		1	Box	
10	(3830520)	1	Box	Obsolete part
11	941268	3	Plug	
12	662620	1	Rubber button	
13		1	Support	
14	3807183	1	Bracket	
15	965193	2	Flange screw	
16	971099	2	Flange lock nut	
17	(18675)	2	U-member washer	Obsolete part
18	863415	4	Rubber cushion	
19	948645	4	Flange lock nut	
20	881193	2	Grommet	
21	880755	2	Nut	
22	874871	1	Power cable	L=2500mm
	874896	1	Control cable	L=2500mm