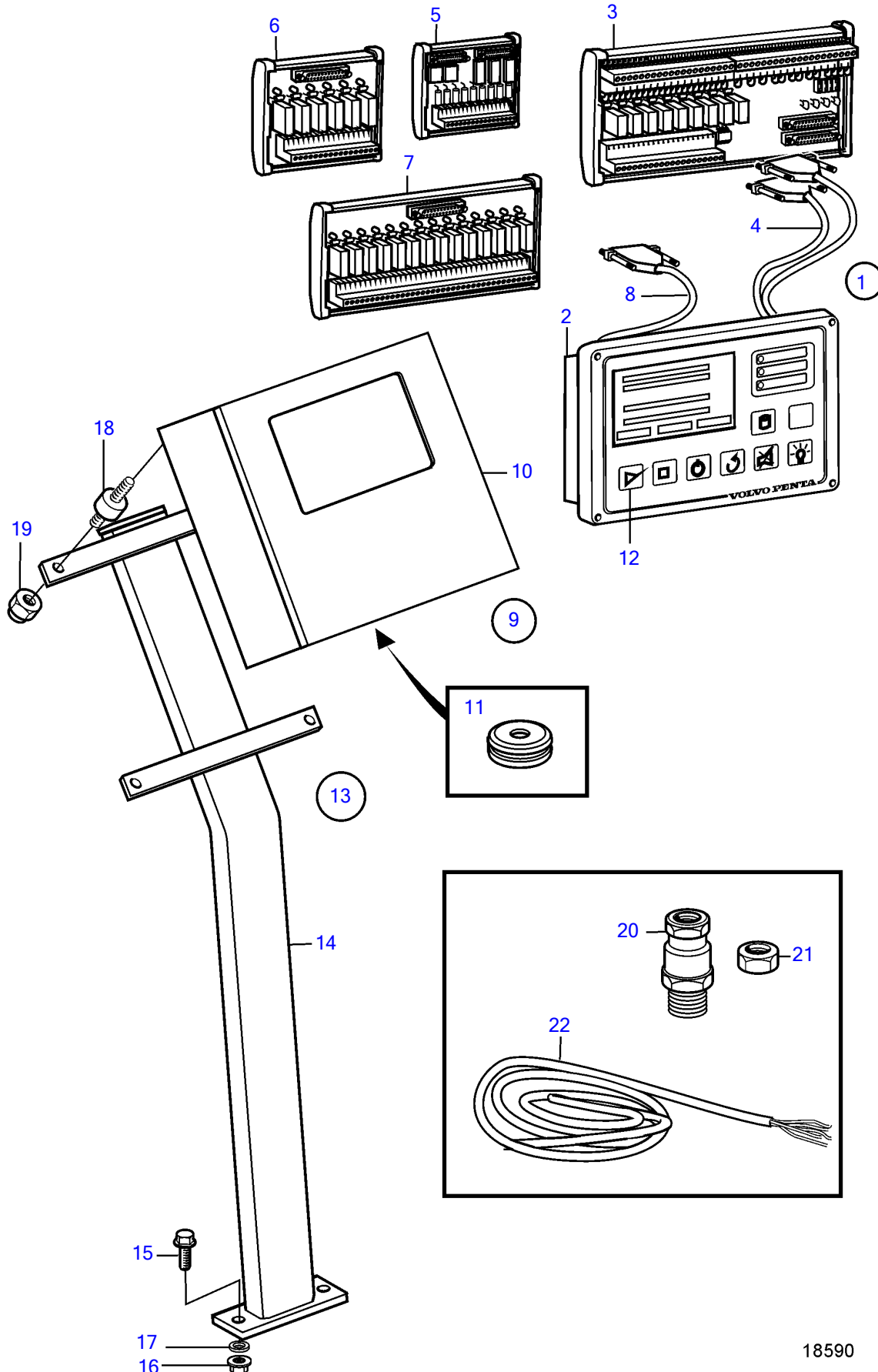


TAMD74A



18590

## TAMD74A

REF	PART NO.	QTY	DESCRIPTION	NOTES
1		1	Control panel, control unit	CU 2500 A
2	(874464)	1	Control unit	Obsolete part
3	874162	1	• Terminal, RK-60	Repl by 874466
	(874466)	1	• Terminal, RK-66	Obsolete part
4	874163	2	• Wiring harness	25-pin D-SUB
5	874243	1	Relay	AK-6
6	874165	1	Relay	MK-6
7	874164	1	Relay	MK-14
8	874166	1	Wiring harness	15-pin D-SUB
9		1	Box	
10	(3830520)	1	Box	Obsolete part
11	941268	3	Plug	
12	662620	1	Rubber button	