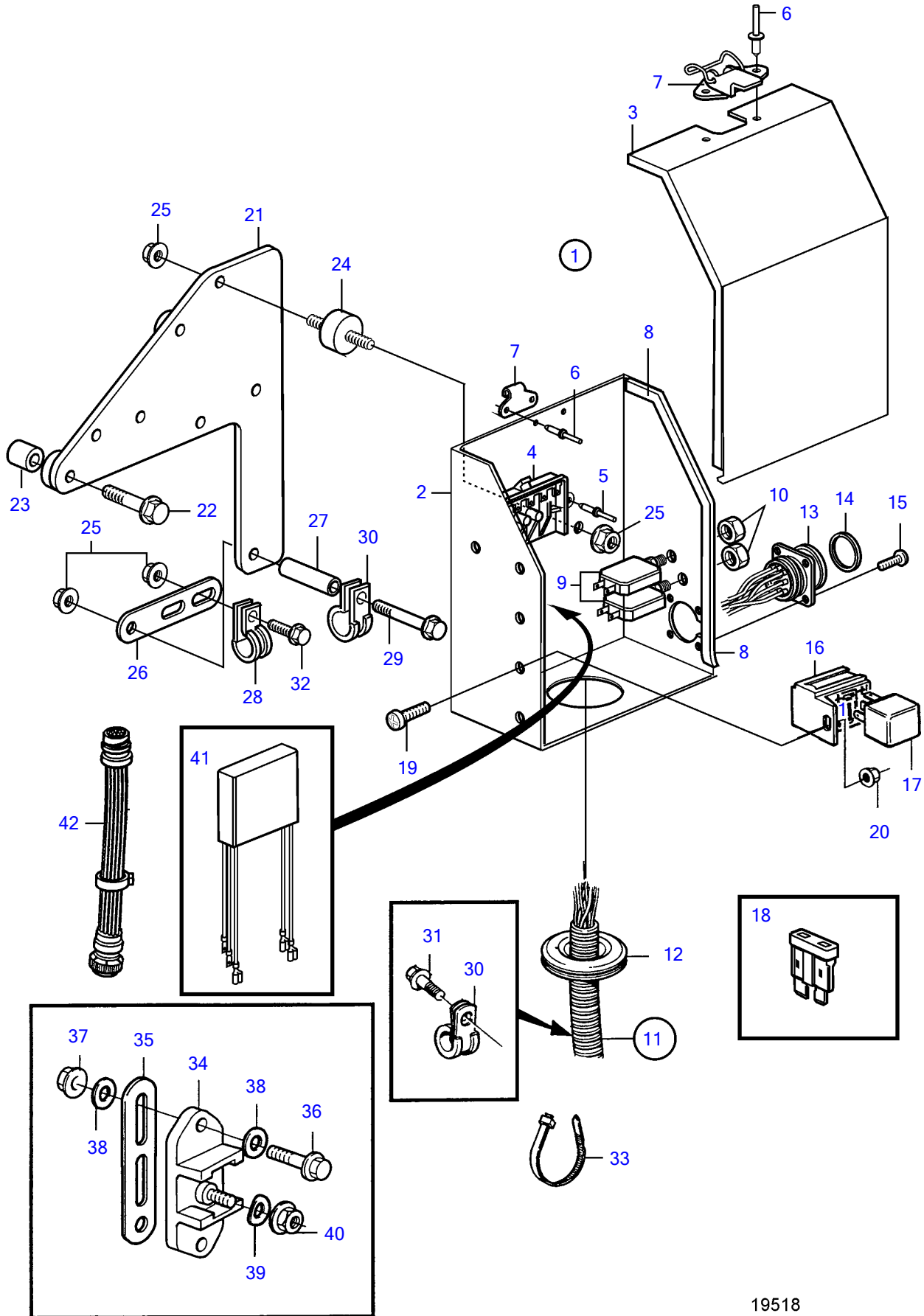


TAMD74C-A, TAMD74C-B, TAMD74L-A, TAMD74L-B, TAMD74P-A, TAMD74P-B, TAMD75P-A



19518

TAMD74C-A, TAMD74C-B, TAMD74L-A, TAMD74L-B, TAMD74P-A, TAMD74P-B, TAMD75P-A

REF	PART NO.	QTY	DESCRIPTION	NOTES
1	(3825254)	1	Electrical distribut	Obsolete part
2		1	• Box	
3	(3825253)	1	• Cardboard tube	Obsolete part
4	1234048	1	• Bottom section	
5	942670	2	• Blind rivet	
6	965592	4	• Blind rivet	
7	3825257	1	• Snap lock	
8	(1214306)	1	• Stop dog	Obsolete part
9	966689	2	Fuse	
10		2	• Nut	
11	874183	1	Wiring harness	
12	943920	1	• Plug	
13	846611	1	• Housing, instrument panel	
14	846615	1	• Sealing ring	
15	945761	4	Cross recessed screw	
16	977184	2	Housing	
17	873765	3	Relay	12V
	3171420	3	Relay	24V, (9518230)
18	980555	1	Fuse	
19	956075	3	Cross recessed screw	(967378)
20	965483	3	Flange nut	
21	866694	1	Bracket	
22	946470	3	Flange screw	
23	845589	3	Spacer sleeve	
24	3574797	3	Vibration damper	
25	949278	9	Flange lock nut	M6
26	965540	1	Bracket	
27	848229	1	Spacer sleeve	
28	949747	2	Clamp	
29	965177	1	Flange screw	M6
30	947827	2	Clamp	
	949747	2	Clamp	
	952635	4	Clamp	
31	946440	1	Flange screw	M8
	945414	6	Flange screw	M6
32	945414	2	Flange screw	M6
33	948211	7	Cable tie	
34	6776926	2	Terminal block	M6 connecting, only 12V engines
35	965541	2	Bracket	Only 12V engines.
36	969407	4	6 point socket screw	Only 12V engines., M5x16, (965200)
37	949874	4	Flange lock nut	Only 12V engines., M5
38	960140	8	Washer	Only 12V engines.
39	941906	2	Spring washer	Only 12V engines.
40	945407	2	Flange nut	Only 12V engines., M6
41	874184	1	Voltage converter	Only 12V engines.
42	873689	1	Cable kit	This cable kit is needed for the connection of EDC-system to an instrument panel or instrument panel kit.