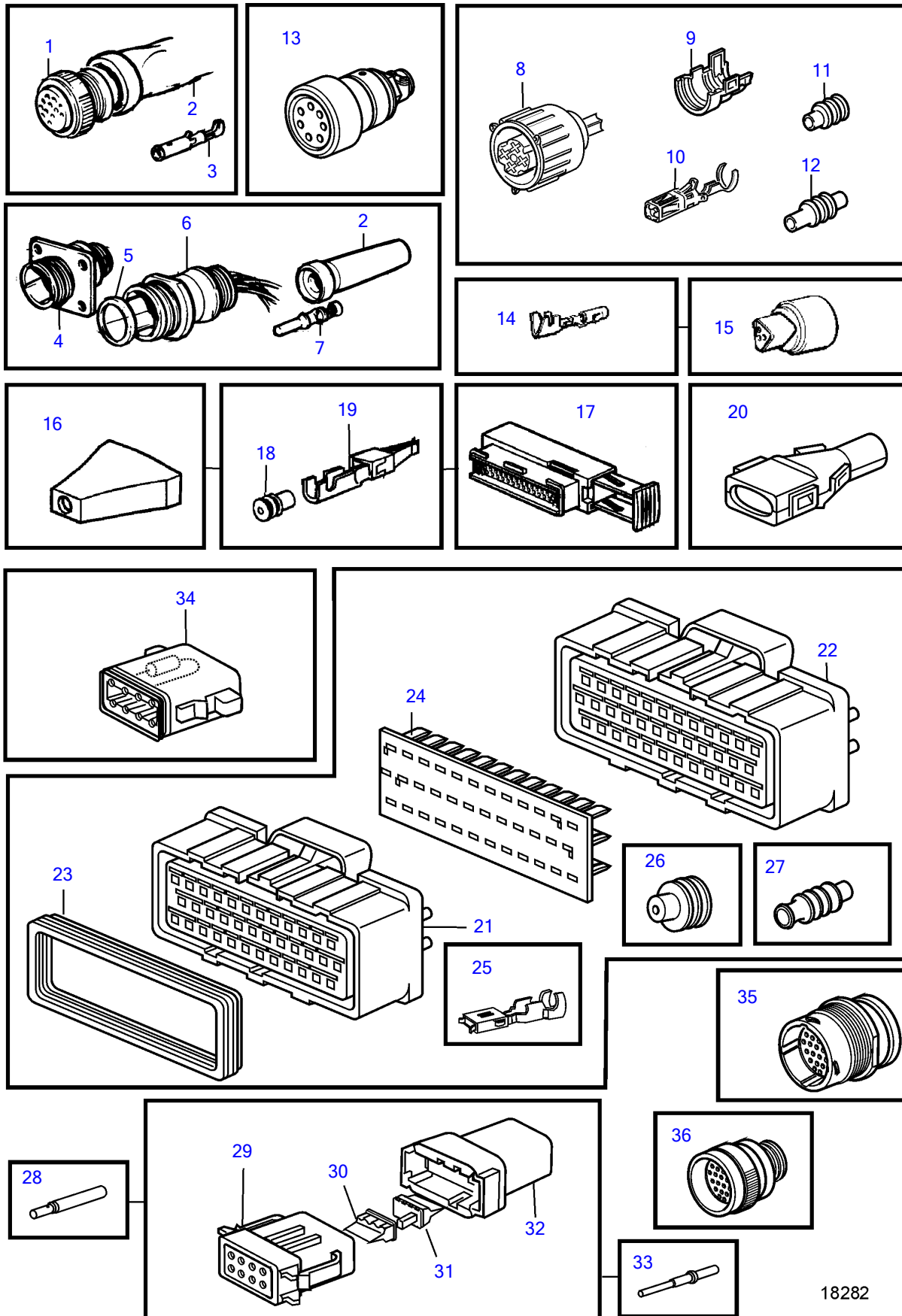


TAMD74A, TAMD74A-A, TAMD74A-B, TAMD74C-A, TAMD74C-B, TAMD74L-A, TAMD74L-B, TAMD74P-A, TAMD74P-B, TAMD75P-A



18282

TAMD74A, TAMD74A-A, TAMD74A-B, TAMD74C-A, TAMD74C-B, TAMD74L-A, TAMD74L-B, TAMD74P-A, TAMD74P-B, TAMD75P-A

| REF | PART NO. | DESCRIPTION | NOTES |
|-----|----------|--------------------------|--|
| 1 | 846612 | Housing | 16-pole |
| 2 | 847005 | Sealing collar | L=100mm D=20mm |
| 3 | 849959 | Cable terminal | |
| 4 | 846611 | Housing | 16-pole |
| 5 | 846615 | Sealing ring | |
| 6 | 846647 | Block | 16-pole |
| 7 | 849958 | Cable terminal | 1,6x0,5-1,5mm ² |
| 8 | 8159013 | Housing | 4-pole |
| 9 | | Adapter | |
| 10 | 8155901 | Cable terminal | |
| 11 | 8155900 | Cable seal | |
| 12 | 8155899 | Sealing plug | |
| 13 | 1618737 | Switch | 7-pole |
| 14 | 853521 | Cable terminal | |
| 15 | (853498) | Anode kit | Obsolete part, 3-pole |
| 16 | 873632 | Protecting sleeve | |
| 17 | 9148263 | Housing | 42-pole |
| 18 | 970772 | Cable seal | 1,2-2,1mm ² blue |
| | 9148107 | Seal | 1,4-2,0 grey |
| | 25325008 | Cable seal | 2,2-3mm ² white |
| 19 | 9148135 | Switch | 1,6x0,5-1mm ² |
| | 970778 | Cable terminal | 4,8/2,8x0,5-1mm ² |
| | 970779 | Cable terminal | 4,8/2,8x1,1-2,5mm ² |
| 20 | 8142100 | Adapter | |
| 21 | 977532 | Housing | 24-pole black |
| 22 | 977897 | Housing | 24-polig red |
| 23 | | • Seal | |
| 24 | 977533 | Insulator retainer | |
| 25 | 977539 | Cable terminal | |
| 26 | 1079234 | Seal | Brown |
| 27 | 977540 | Cable seal | Gray |
| 28 | 874146 | Cable terminal | |
| 29 | 874142 | Housing | 8-pole |
| 30 | 874144 | Wedge | Orange |
| 31 | 874145 | Wedge | Orange |
| 32 | 874143 | Housing | 8-pole |
| 33 | 874147 | Cable terminal | |
| 34 | 874271 | Resistor, end terminator | |
| 35 | 874112 | Connector unit | From control panel to engine. 23-pole. |
| 36 | 874092 | Connector unit | From engine to control panel. 23-pole. |