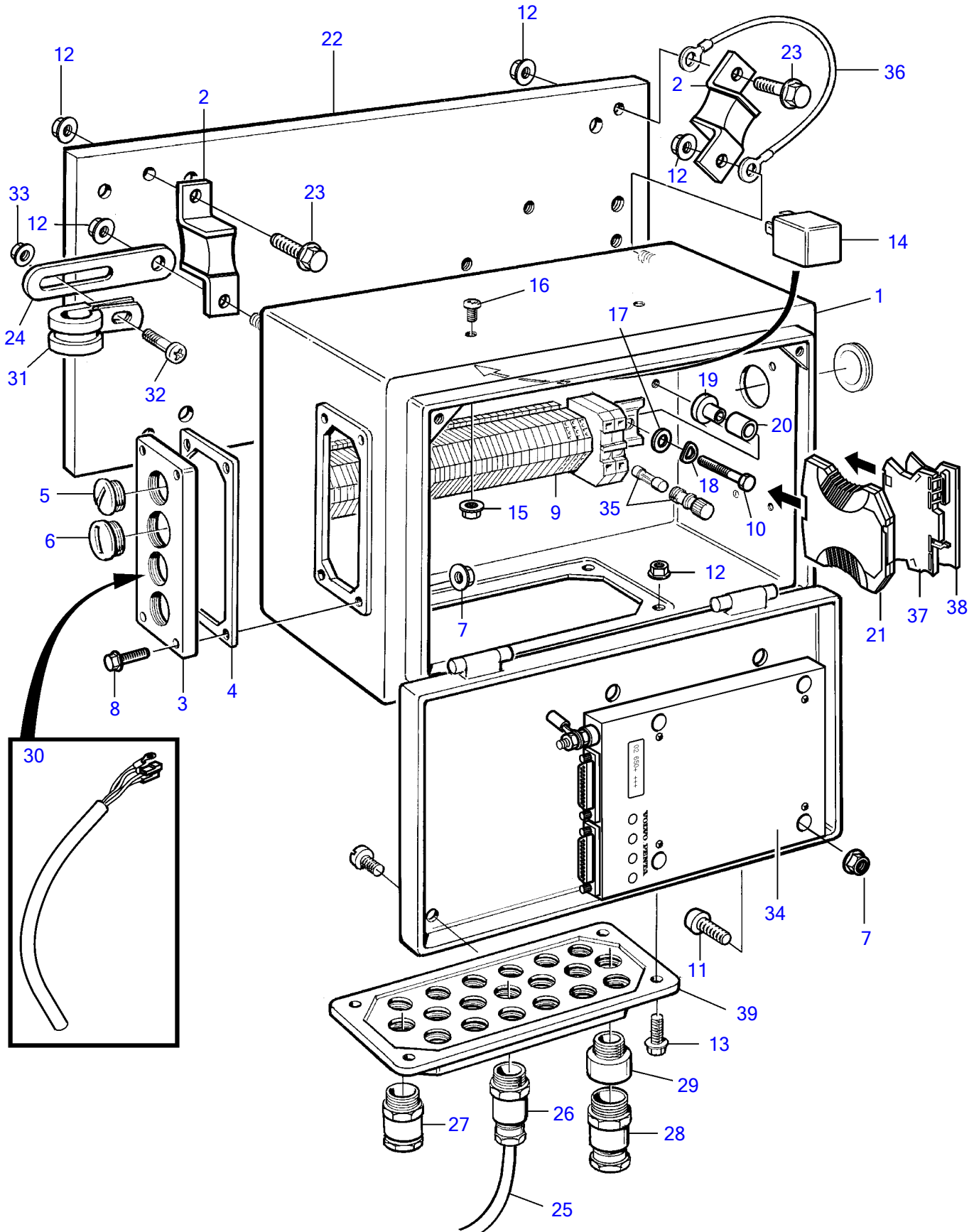


TAMD74A-A, TAMD74A-B



TAMD74A-A, TAMD74A-B

REF	PART NO.	QTY	DESCRIPTION	SEE SEC.	NOTES
1	3587009	1	Electrical distribut		(873885)
2	845513	4	Vibration damper		
3	(843094)	1	Pipe flange		Obsolete part
4	843578	1	Gasket		
5	843903	3	Plug		
6	843904	1	Plug		
7	963105	8	Lock nut		M6
8	946544	4	Flange screw		M6x16mm
9	874158	1	Terminal block		(873608)
10	956081	2	Cross recessed screw		M5x25
11	956093	4	Cross recessed screw		M6x14
12	948645	12	Flange lock nut		M8
13	946440	4	Flange screw		M8x16mm
14	3171420	5	Relay		(9518230)
15	963104	2	Lock nut		M5
16	956075	2	Cross recessed screw		M5x10mm
17	960138	2	Washer		
18	941905	2	Spring washer		
19	824830	2	Spacer sleeve		
20	403894	2	Spacer sleeve		
21	874278	1	Current sender		
22		1	Bracket	5454	
23	946173	4	Flange screw		M8x20mm
24	965534	2	Bracket		
25	874854	X	Power cable		Non reinforced ship cable approved by classification societies., 2x1,5mm ²
26	881191	X	Grommet		7,5-10,5mm, pr 18,6
	844576	X	Grommet		9,5-12,0mm, pr 18,6
27	881192	X	Grommet		12,5-15,0mm, pr 22,5
28	872939	1	Adapter, electr box-altern-starter		
29	862885	1	Reduction sleeve		
30	873711	1	Cable kit		
31	952637	2	Clamp		
32	956093	2	Cross recessed screw		
33	949278	2	Flange lock nut		
34	881661	1	Electronic unit, converter		
35	(873712)	5	Fuse		Obsolete part
36		X	cables and terminals	1963	
37	874279	1	Current sender, converter		
38		1	Lock		
39		1	Flange		