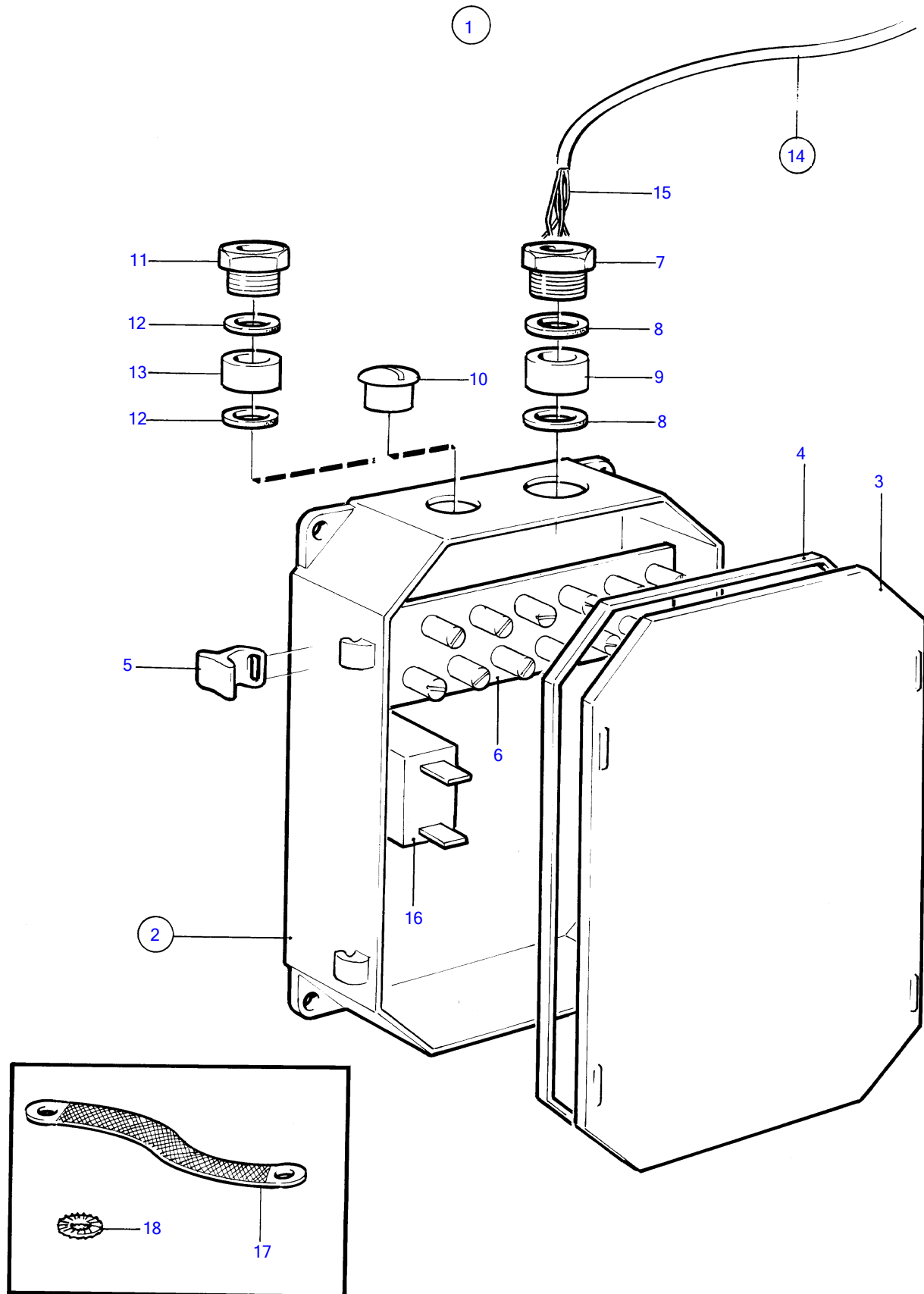


TAMD74A, TAMD74A-A, TAMD74A-B, TAMD74C-A, TAMD74C-B, TAMD74L-A, TAMD74L-B, TAMD74P-A, TAMD74P-B, TAMD75P-A



TAMD74A, TAMD74A-A, TAMD74A-B, TAMD74C-A, TAMD74C-B, TAMD74L-A, TAMD74L-B, TAMD74P-A, TAMD74P-B, TAMD75P-A

REF	PART NO.	QTY	DESCRIPTION	SEE SEC.	NOTES
1	(838419)	1	Cable trunk		For instrument panel not made by Volvo Penta., Obsolete part
2	(847078)	1	• Clutch housing		Obsolete part
3	847077	1	• • Cardboard tube		
4	(1582940)	1	• • Gasket		Obsolete part
5	(1504888)	4	• • Latch		Obsolete part
6	(1582941)	2	• • Current bar		Obsolete part
7	(1585425)	1	• • Grommet		Obsolete part
8	(1585452)	2	• • Gasket		Obsolete part
9	(1585435)	1	• • Washer		Obsolete part
10	(843902)	3	• • Plug		Obsolete part
11	(1585424)	3	• Grommet		Obsolete part
12	(1585432)	6	• Washer		Obsolete part
13	1585449	3	• Gasket		
14		X	• Cable trunk		
15		X	• • cables and terminals	1963	