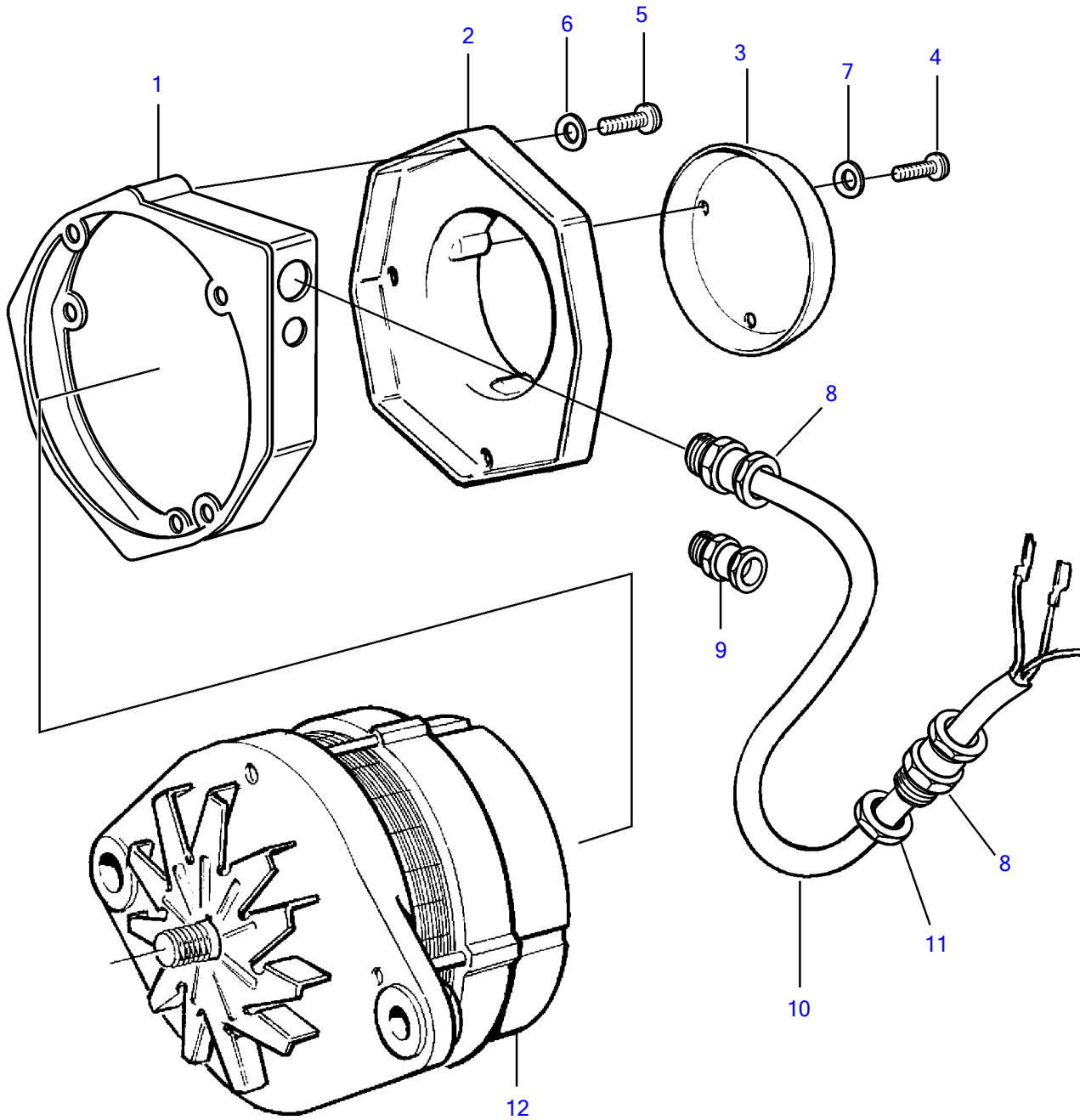


TAMD74A-A, TAMD74A-B



TAMD74A-A, TAMD74A-B

REF	PART NO.	QTY	DESCRIPTION	SEE SEC.	NOTES
1	3832482	1	Housing		
2	845225	1	Cardboard tube		
3	845226	1	Cardboard tube		
4	956061	3	Cross recessed screw		
5	969408	3	6 point socket screw		(956079)
6	941904	3	Spring washer		
7	941905	3	Spring washer		
8	881193	1	Grommet		
9	881191	2	Grommet		
10			Cable, electrical materials	1963	
11	880244	1	Nut		
	880755	1	Nut		
12			Alternator	4478	