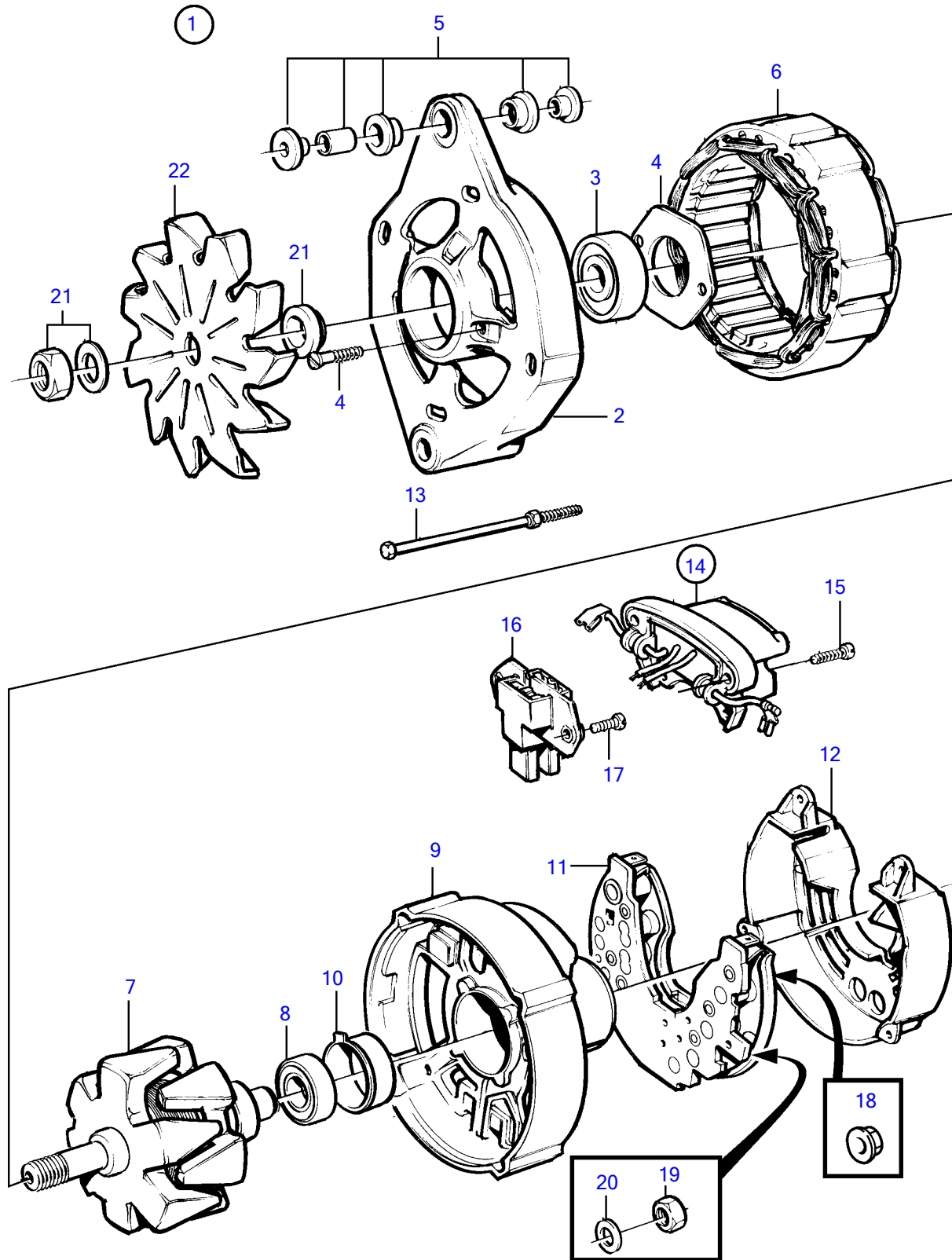


TAMD74A, TAMD74A-A, TAMD74A-B, TAMD74C-A, TAMD74C-B, TAMD74L-A, TAMD74L-B, TAMD74P-A, TAMD74P-B, TAMD75P-A



TAMD74A, TAMD74A-A, TAMD74A-B, TAMD74C-A, TAMD74C-B, TAMD74L-A, TAMD74L-B, TAMD74P-A, TAMD74P-B, TAMD75P-A

REF	PART NO.	QTY	DESCRIPTION	NOTES
1	873771	1	Alternator	28V 60A
	3803443	1	Alternator, exch, exch	28V 60A
2		1	• Housing	
3	864350	1	• Ball bearing	
4		1	• Bearing carrier	
5	847710	1	• Screw kit	
6	(864346)	1	• Stator	Obsolete part
7	(864347)	1	• • Rotor	Obsolete part
8	864351	1	• Ball bearing	
9			• Housing	
10	(840629)	1	Bearing race	Obsolete part
11	(1698689)	1	• Diode bridge	Obsolete part
12	847712	1	• Protecting casing	
13	847710	1	Screw kit	
14	872368	1	• Regulator kit	
15	859312	4	• • Screw	
16	840632	1	• • Brush retainer	
17	859312	2	• • Screw	
18	965483	2	• Flange nut	M5, D+, B-
	945407	1	• Flange nut	M6, b+
19	955779	1	• Hexagon nut	
20	941904	1	• Spring washer	
21	847706	1	• Nut set	
22	(847707)	1	• Fan	Obsolete part