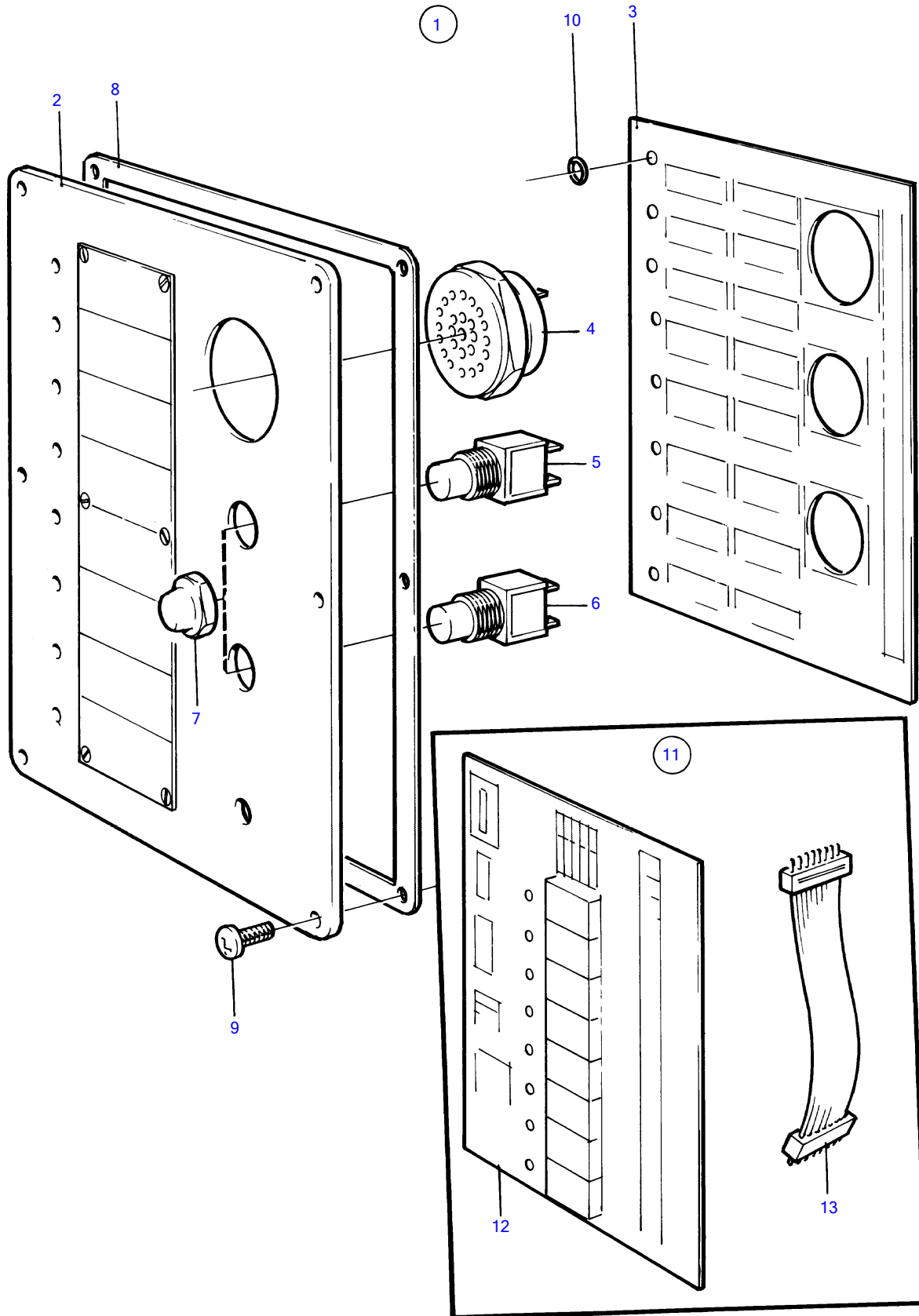


TAMD74A-A, TAMD74A-B



TAMD74A-A, TAMD74A-B

REF	PART NO.	QTY	DESCRIPTION	NOTES
1	873785	1	Electronic unit	
2	(862317)	1	• Front plate	Obsolete part
3		1	• Circuit board	
4	828587	1	• Buzzer	
5	(862719)	1	• Toggle switch	Obsolete part
6	828584	1	• Toggle switch	
7	828586	2	• Nut	
8	862331	1	• Gasket	
9	862217	6	• Cross recessed screw	
10	955978	9	• O-ring	
11	873786	1	Electronic unit	
12		1	• Circuit board	
13		1	• Connecting cable	