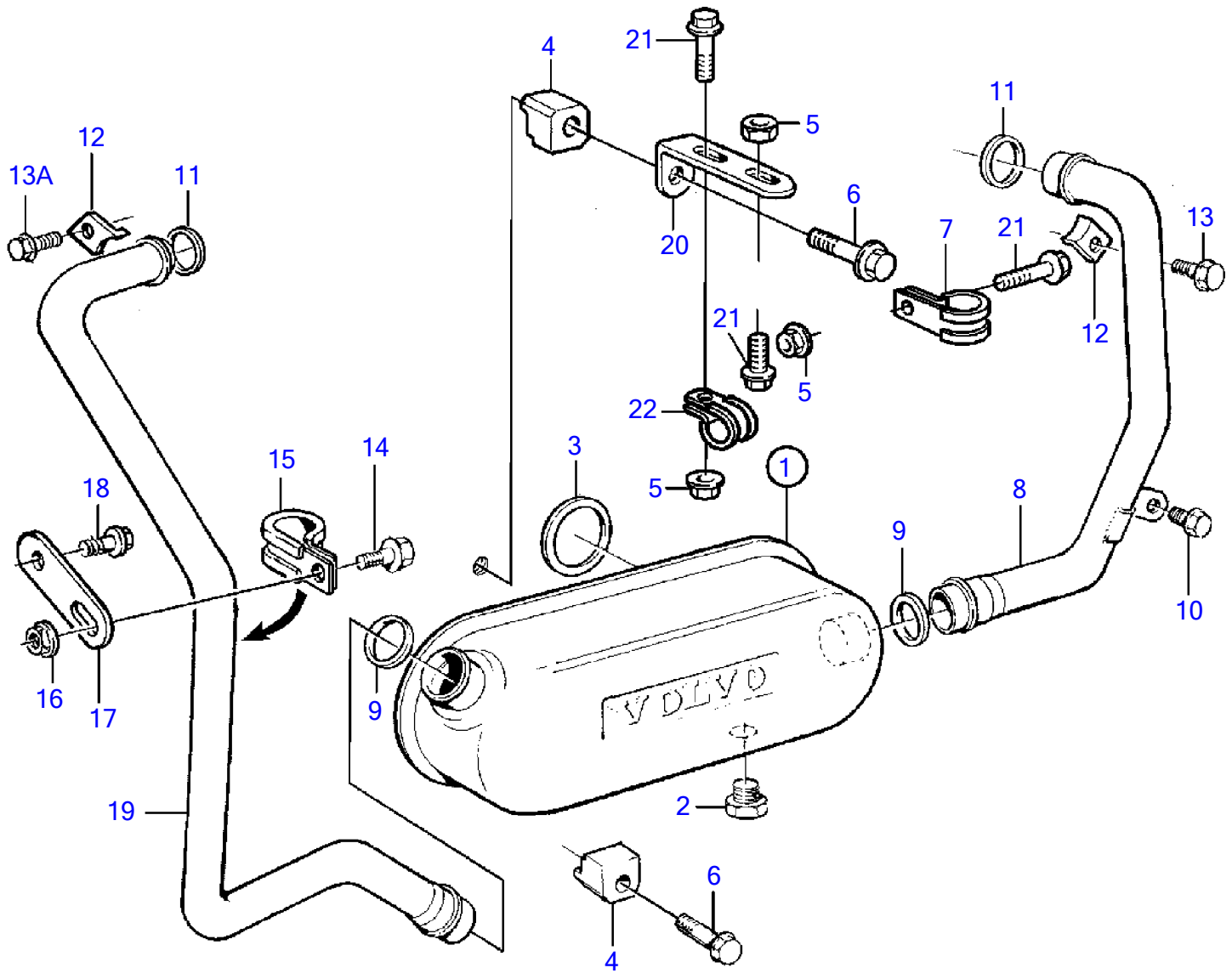


TAMD74A-A, TAMD74A-B, TAMD74C-A, TAMD74C-B, TAMD74L-A, TAMD74L-B, TAMD74P-A, TAMD74P-B, TAMD75P-A



17944

TAMD74A-A, TAMD74A-B, TAMD74C-A, TAMD74C-B, TAMD74L-A, TAMD74L-B, TAMD74P-A, TAMD74P-B, TAMD75P-A

REF	PART NO.	QTY	DESCRIPTION	NOTES
1	866539	1	Oil cooler	
2	981749	1	• Plug	
3	471467	2	Sealing ring	
4	471804	4	Retainer	
5	945407	3	Flange nut	M6
6	965186	4	Flange screw	M10x50mm
7	952627	1	Clamp	
8	864588	1	Water pipe	Cylinder block-oil cooler.
9	1543579	2	Sealing ring	
10	946441	1	Flange screw	M8x20mm
11	471637	2	Sealing ring	
12	421654	2	Clamp	
13	946440	1	Flange screw	L=16mm
13A	949846	1	Flange screw	Tapping screw.
14	946544	1	Flange screw	M6x16mm
15	952635	1	Clamp	
16	945407	1	Flange nut	M6
17	965556	1	Bracket	
18	946440	1	Flange screw	M8x16mm
19	864589	1	Water pipe	Thermostat housing-oil cooler.
20	965562	1	Bracket	
21	946544	3	Flange screw	M6x16mm
22	952635	1	Clamp	

7740900-26-4468

17944

Upd:2011-09-22

TAMD74A, TAMD74A-A, TAMD74A-B, TAMD74C-A, TAMD74C-B, TAMD74L-A, TAMD74L-B, TAMD74P-A, TAMD74P-B, TAMD75P-A

VOLVO
PENTA