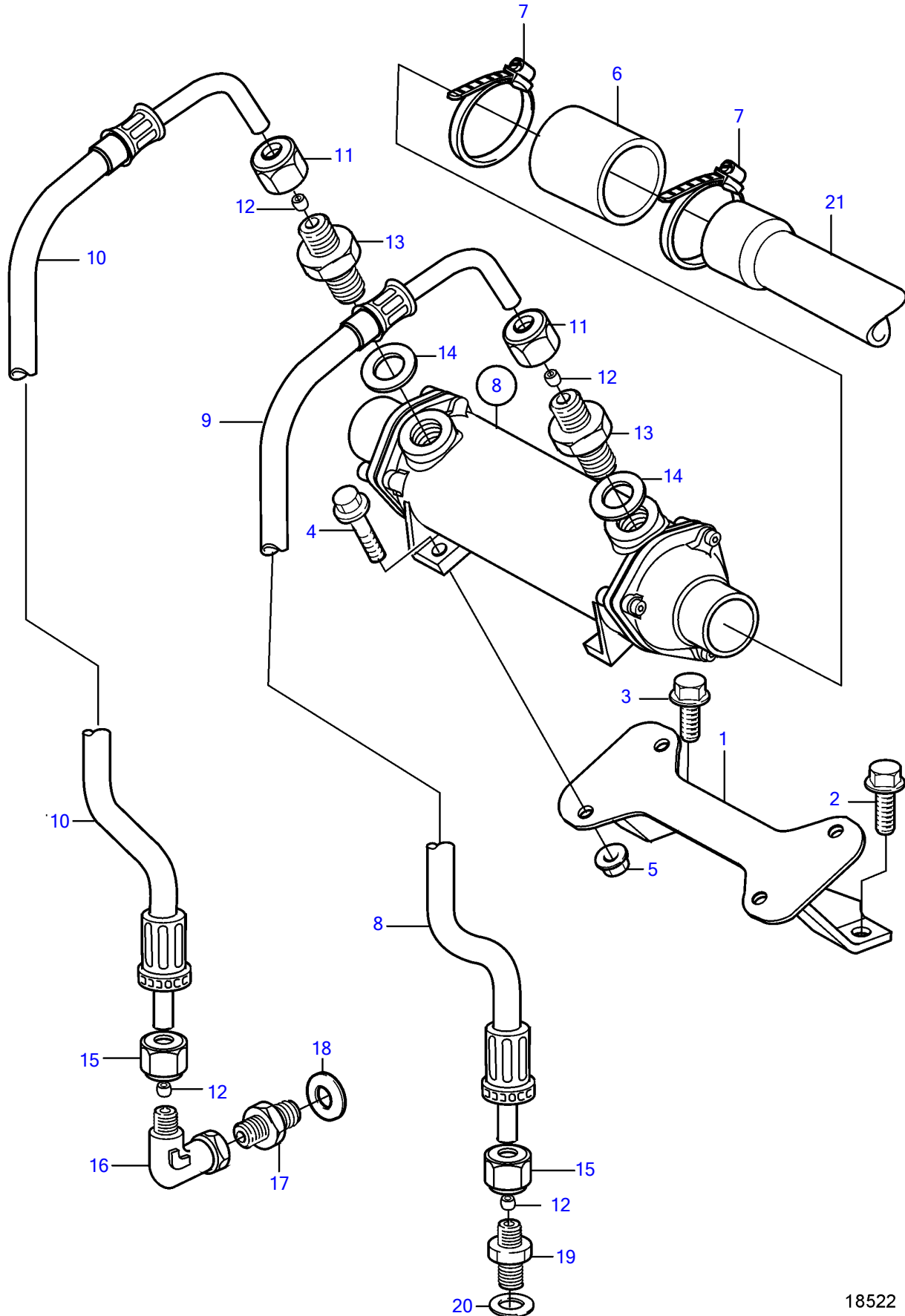


TAMD74A-A, TAMD74A-B, TAMD74C-A, TAMD74C-B, TAMD74L-A, TAMD74L-B, TAMD74P-A, TAMD74P-B, TAMD75P-A



TAMD74A-A, TAMD74A-B, TAMD74C-A, TAMD74C-B, TAMD74L-A, TAMD74L-B, TAMD74P-A, TAMD74P-B, TAMD75P-A

REF	PART NO.	QTY	DESCRIPTION	SEE SEC.	NOTES
1	3827383	1	Bracket		
2	946502	1	Flange screw		L=20mm
3	946817	1	Flange screw		L=25mm
4	946671	4	Flange screw		
5	948645	4	Flange lock nut		
6	943371	1	Rubber hose		L=80mm
7	961672	2	Hose clamp		
8	3830503	1	Oil cooler		Classifiable
			.		
			.	4054	
9	837935	1	Hose		L=460mm
10	848254	1	Hose		L=660mm
11	941331	2	Fitting nut		
12	980782	4	Ferrule		(1677898)
13	968132	2	Nipple		
14	977937	2	Gasket		(944252)
15	956984	2	Fitting nut		
16	964016	1	Elbow nipple		
17	941750	1	Nipple		
18	948884	1	Gasket		
19	978432	1	Nipple		
20	943908	1	Gasket		
21		1	Coolant pipe	4938	Earlier production version hose 3827386
		1	Coolant pipe	4917	Earlier production version hose 3827386