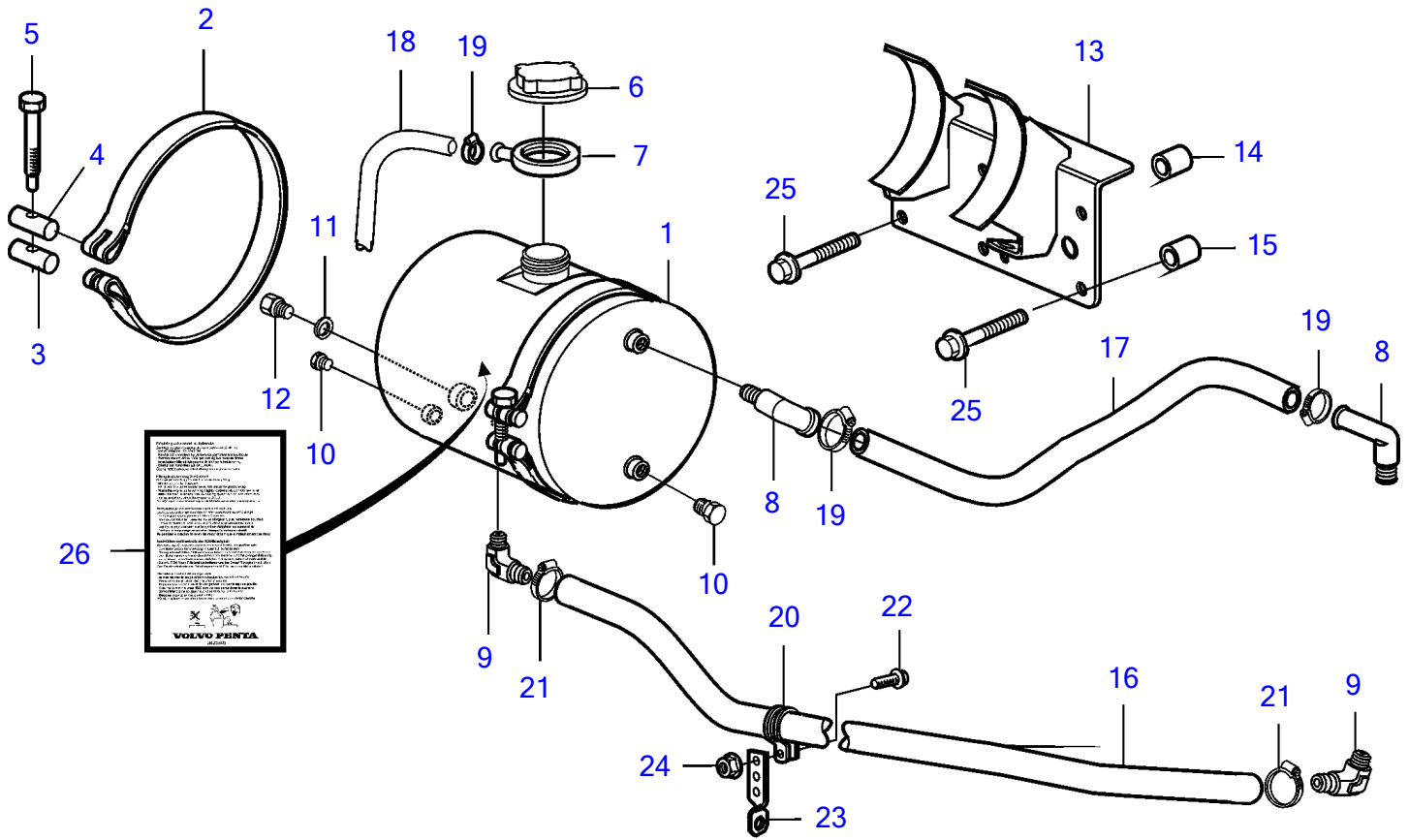


TAMD74A



19521

TAMD74A

| REF | PART NO. | QTY | DESCRIPTION | NOTES |
|-----|----------|-----|-----------------|----------|
| 1 | 3827367 | 1 | Expansion tank | |
| 2 | 339958 | 2 | Tensioning band | |
| 3 | 31405 | 2 | Pin | |
| 4 | 31404 | 2 | Clevis pin | |
| 5 | 31406 | 2 | Hexagon screw | |
| 6 | 1674083 | 1 | Pressure cap | 75kPa |
| 7 | 3828863 | 1 | Rubber collar | |
| 8 | 479953 | 2 | Elbow nipple | |
| 9 | 942649 | 2 | Elbow nipple | |
| 10 | 981749 | 2 | Plug | |
| 11 | 11998 | 1 | Gasket | |
| 12 | 960632 | 1 | Plug | |
| 13 | 3835107 | 1 | Bracket | |
| 14 | 847239 | 2 | Spacer sleeve | L=36mm |
| 15 | 848694 | 4 | Spacer sleeve | L=33mm |
| 16 | 944386 | X | Rubber hose | |
| 17 | 943367 | X | Rubber hose | L=470mm |
| 18 | 192618 | X | Hose | L=1000mm |
| 19 | 943470 | 2 | Hose clamp | |
| 20 | 952637 | 1 | Clamp | |
| 21 | 943475 | 2 | Hose clamp | |
| 22 | 967949 | 1 | Flange screw | |
| 23 | 354842 | 1 | Bracket | |
| 24 | 949278 | 1 | Flange lock nut | |
| 25 | 965184 | 4 | Flange screw | L=100mm |
| 26 | 3825346 | 1 | Decal | |