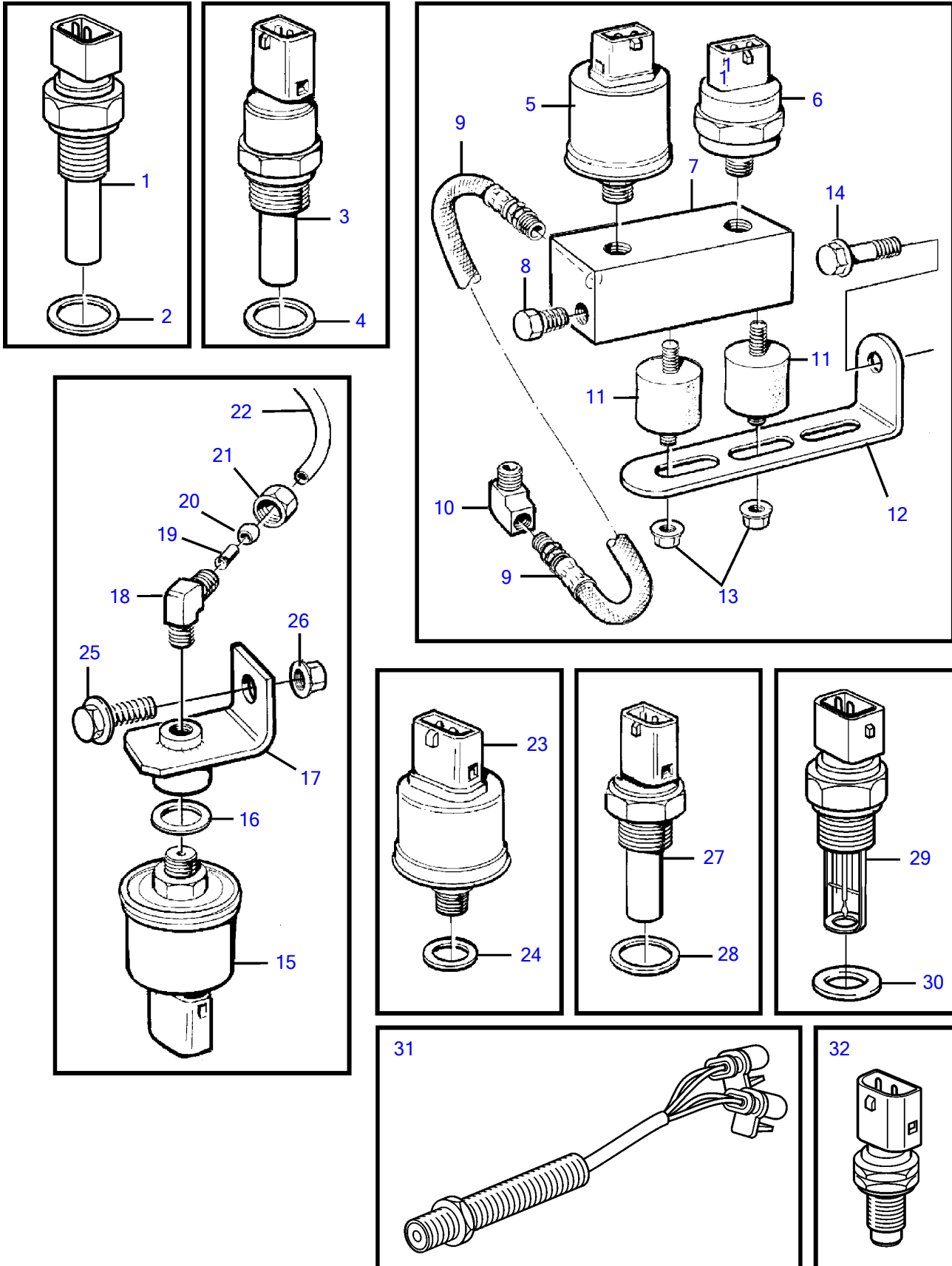


TAMD74C-A, TAMD74C-B, TAMD74L-A, TAMD74L-B, TAMD74P-A, TAMD74P-B, TAMD75P-A



TAMD74C-A, TAMD74C-B, TAMD74L-A, TAMD74L-B, TAMD74P-A, TAMD74P-B, TAMD75P-A

REF	PART NO.	QTY	DESCRIPTION	SEE SEC.	NOTES
1	862154	1	Temperature sensor, coolant water		For single instrument., 12V/24V, 120°C, M18
	862567	1	Temperature sensor, coolant water		For double instruments., 12V/24V, 120°C, M18
2	11998	1	Gasket		(947624)
3	862250	1	Thermo monitor, coolant water		12V/24V, 97°C
4	947624	1	Gasket		
5	866835	1	Sensor, oil-engine		0-10BAR
			• Bulletin P-38-6-1	P-38-6-1-EN	Vibration Damping Kit
5	866836	1	Sensor, oil-engine		For double instruments., 0-10BAR
6	863169	1	Pressure monitor		0,7bar
7	866704	1	Bracket		
8	479979	1	Plug		
9	334175	1	Hose assembly		
10	180110	1	Elbow nipple		
11	3574797	2	Vibration damper		
12	965561	1	Bracket		
13	949278	2	Flange lock nut		
14	946440	1	Flange screw		
15	866837	1	Sensor, turbo		0-3bar
16	11998	1	Gasket		(947624)
17	843698	1	Bracket		
18	954385	1	Elbow nipple		
19	944717	1	Support sleeve		
20	954364	1	Sleeve		
21	954356	1	Fitting nut		
22	945460	1	Tube		L=500mm
23	866839	1	Sensor, reverse gear		0-30bar
24	947624	1	Gasket		
25	967949	1	Flange screw		
26	949278	1	Flange lock nut		
27	1624368	1	Sensor, coolant water		For EDC unit., M16
28	947622	1	Gasket		
29	8141474	1	Temperature sensor, air inlet		
30	947624	1	Gasket		
31	3589140	1	Tachometer sensor		
32	862251	1	Tachometer sensor		